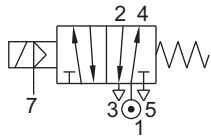


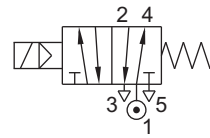
**SERIES : 32P**

**5/2 INTERNAL PILOT OPERATED, SINGLE SOLENOID POPPET VALVE**

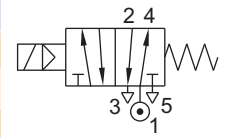
TYPE	PRESSURE
52433	0 - 20 bar



TYPE	PRESSURE
51432	2 - 10 bar
51433	3 - 20 bar
51434	3 - 40 bar

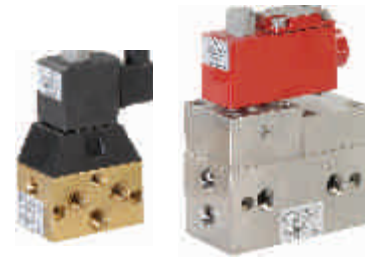


TYPE	PRESSURE
51400	2 - 10 bar
51401	2 - 20 bar
51402	3 - 40 bar



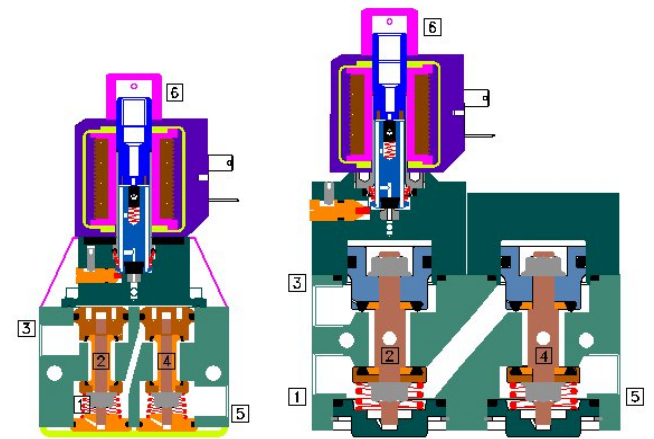
**FEATURES**

- Bubble tight shut off
- Mounts in any position
- Vibration resistance up to 9g
- Suitable for high speed cycling
- Speed up to 1000 cycles/ min (for 51400), others speed up to 500 cycles/ min
- Life >10 million cycles



**WETTED PARTS**

Code	※	B1	B2	B5
Body	Anodized Aluminium	Anodized Aluminium	Brass	SS 316
Internals	Aluminium, Brass and SS 316	SS 316	Brass and SS 316	SS 316
Guide Assembly	SS 304			
Shadow-Ring	Copper/ Silver/ None			
Plunger, Insert	SS 430			
Spring/ Circlip	SS 302/ Steel			
Fasteners	SS 304			
Seat, Seals	NBR, Viton, F.Silicon			



**AMBIENT AND FLUID TEMPERATURE**

-30 °C to 75 °C

**SPECIAL VERSION AND SUFFIX**

Suffix : (Valve) AM  
Special version : (Solenoid) CO, FR, SS, LC, III

**MEDIA**

Air, Inert Gases

**APPLICATION**

Operation of double acting cylinder/ actuator

**PORT CONNECTION**

INLET	OUTLET	OUTLET	EXHAUST	EXHAUST	PILOT EXHAUST
1	2	4	3	5	6

Contact Rotex for

- Any other ambient, fluid temperature, media and application
- UL listed, CE Listed general purpose Valve
- Media like Water, Light Oil etc.

**SPARES**

(Refer page 25 for ordering code)

SPARE KIT	CODE
Seal Kit : Oring Set and Plunger Assembly	98
Repair Kit : Oring Set, Plunger Assembly, Fastener, Springs, Manual Override, Guide Assembly, Piston Kit	99
Solenoid Kit : Solenoid, Gasket and Nut	34

**APPROVAL**

(\* applied for)

Approval	TYPE 4X, 6P	IP67	Ex d IIC T4 or T5 or T6 IP66	Ex ia IIC T6 IP67	DGMS	CCOE
		✓	✓	✓	✓	✓
CE		✓	✓	✓		
UL	✓		*			
			✓	✓		
EAC			✓	✓		
			✓	✓		



The pressure drop at inlet port causes malfunction of the Valve. All equipment connected between the header and the inlet port should have a higher orifice compared to the solenoid Valve.



## 5/2 INTERNAL PILOT OPERATED, SINGLE SOLENOID POPPET VALVE

### SPECIFICATION

PORT CONNECTION			PRE-SSURE bar		ORIFICE (mm)	FLOW FACTOR kv (LPM OF WATER @ 1 bar ΔP)	VALVE TYPE	PILOT PRESSURE	BODY MATERIAL AND INTERNALS					SEALS				MANUAL OVERRIDE		SOLENOID ENCLOSURE				SUFFIX		POWER VA		CONSTRUCTION REFERENCE NUMBER
SIZE	BSP(F)	NPT(F)	MINIMUM	MAXIMUM					ALUMINIUM	ALUMINIUM + SS	BRASS (STD. PORT NPT)	SS 316/CF8 (STD. PORT NPT)	NBR	Viton	EPDM	HYTREL	F. Silicon	NIL	STAYPUT CUM MOMENTARY	MOMENTARY	FLYING LEAD	PLUG IN, IP67	SQ. PLUG IN, IP67	TERMINAL BOX IP67	EXPLOSION PROOF IIC, IP67	LARGE ENCLOSURE	SOLENOID SIZE	

#### 5/2 SINGLE SOLENOID

1/4"	2G	2R	2	10	6	12	51400		*	B1	B2	B5	*	S2				M0	*	M8	22	25	T	E	III	14	✓	✓	18	12	8	500		
			0	20	6	12	52400	2-20	*	B1	B2	B5	*	S2					M0	*	M8	22	25	T	E	III	14	✓	✓	18	12	8	500	
			2	20	6	12	51401		*	B1	B2	B5	*	S2					M0	*	M8	22	25	T	E	III	14		✓		18	12	8	500
			2	40	6	12	51402		*	B1	B2	B5	*	S2			*	M12	M5			25	T	E		18	✓	✓	13	13	13	513		
3/8"	3G	3R	2	10	6	12	51400		*	B1	B2	B5	*	S2				M0	*	M8	22	25	T	E	III	14		✓		18	12	8	501	
			2	10	10	38	51432		*	B1	B2	B5	*	S2	S19			M0	*	M8	22	25	T	E	III	14		✓		18	12	8	502	
			2	20	6	12	51401		*	B1	B2	B5	*	S2				M0	*	M8	22	25	T	E	III	14		✓		18	12	8	501	
			0	20	10	38	52433	2-20	*	B1	B2	B5	*	S2	S19			M0	*	M8	22	25	T	E	III	14		✓		18	12	8	502	
			2	20	10	38	51433		*	B1	B2	B5	*	S2	S19			M0	*	M8	22	25	T	E	III	14	✓	✓	18	12	8	502		
			2	40	6	12	51402		*	B1	B2	B5	*	S2			*	M12	M5			25	T	E		18	✓		13	13	13	512		
1/2"	4G	4R	2	40	6	12	51402		*	B1	B2	B5	*	S2			*	M12	M5		25	T	E		18	✓		13	13	13	512			
			2	40	10	38	51434		*	B1	B2	B5	*	S2	S19		*	M12	M5		25	T	E		18	✓		13	13	13	505			
			2	10	6	12	51400		*	B1	B2	B5	*	S2				M0	*	M8	22	25	T	E	III	14		✓		18	12	8	501	
			3	10	16	75	51432		*	B1	B2	B5	*	S2	S19			M0	*	M8	22	25	T	E	III	14		✓		18	12	8	503	
			2	20	6	12	51401		*	B1	B2	B5	*	S2				M0	*	M8	22	25	T	E	III	14		✓		18	12	8	501	
			3	20	16	75	51433		*	B1	B2	B5	*	S2	S19			M0	*	M8	22	25	T	E	III	14		✓		18	12	8	503	
3/4"	6G	6R	0	20	16	75	52433	2-20	*	B1	B2	B5	*	S2	S19			M0	*	M8	22	25	T	E	III	14		✓		18	12	8	502	
			2	40	6	12	51402		*	B1	B2	B5	*	S2			*	M12	M5		25	T	E		18	✓		13	13	13	512			
			3	40	16	75	51434		*	B1		B5	*	S2	S19		*	M12	M5	22	25	T	E	III	18	✓		13	13	13	506			
			3	10	20	110	51432		*	B1		B5	*	S2	S19			M0	*	M8	22	25	T	E	III	14		✓		18	12	8	504	
			0	20	20	110	52433	2-20	*	B1		B5	*	S2	S19			M0	*	M8	22	25	T	E	III	14		✓		18	12	8	504	
			4	20	20	110	51433		*	B1		B5	*	S2	S19			M0	*	M8	22	25	T	E	III	14		✓		18	12	8	504	
1"	8G	8R	3	40	20	110	51434		*	B1		B5	*	S2	S19		*	M12	M5	22	25	T	E	III	18	✓		13	13	13	507			
			3	10	25	185	51432		*	B1		B5	*	S2	S19			M0	*	M8	22	25	T	E	III	14		✓		18	12	8	508	
			0	20	25	185	52433	2-20	*	B1		B5	*	S2	S19			M0	*	M8	22	25	T	E	III	14		✓		18	12	8	508	
			4	20	25	185	51433		*	B1		B5	*	S2	S19			M0	*	M8	22	25	T	E	III	14		✓		18	12	8	508	
							*	B1		B5	*	S2	S19		*	M12	M5	22	25	T	E	III	14		✓		13	13	13	509				

#### SOLENOID 14

Cable Entry	T	E
M20 x 1.5	FJ FİTÜ HU İİTÜ İİTÜ İİTÜ İİSVTÜ	
M25 x 1.5	Fİ İİ İİ İİ İİ İİSV	
1/2" NPT	Fİ FİPÜ H İİPÜ İİPÜ İİPÜ İİSVPÜ	

#### SOLENOID 18

Cable Entry	T	E
M20 x 1.5	FJ FİTÜ HU İİTÜ İİTÜ İİSVTÜ	
M25 x 1.5	Fİ İİ İİ İİ İİ İİSV	
1/2" NPT	Fİ FİPÜ H İİPÜ İİPÜ İİSVPÜ	

### RESPONSE TIME

TYPE	51402		
	51400	51432	52433 *
	51401	51433	52400 *
	51434		
RESPONSE ON	8	15	8
RESPONSE OFF	25	25	15

\* Depends on Pilot Valve  
Response Time in ms

\* = Do not specify when opted for. Refer Page # 22 for Value of \*

✓ = Options available

\* Valve type printed in red colour is external pilot air/ air operated valve

### ORDERING CODE AND EXAMPLE VALVE + SOLENOID

TYPE - SUFFIX - ORIFICE - PORT CONNECTION - BODY AND INTERNALS - MANUAL OVERRIDE - SEAL + SIZE - VOLTAGE - CURRENT - SOLENOID ENCLOSURE - APPROVAL - INSULATION - SPECIAL VERSION  
e.g. 51400-6-2G+230V 50Hz-22; 51432-16-4R-B2-S2+110V DC-19-III

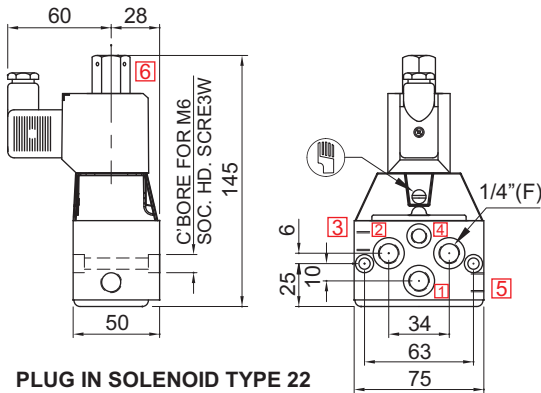
## 5/2 INTERNAL PILOT OPERATED, SINGLE SOLENOID POPPET VALVE

### DIMENSIONS

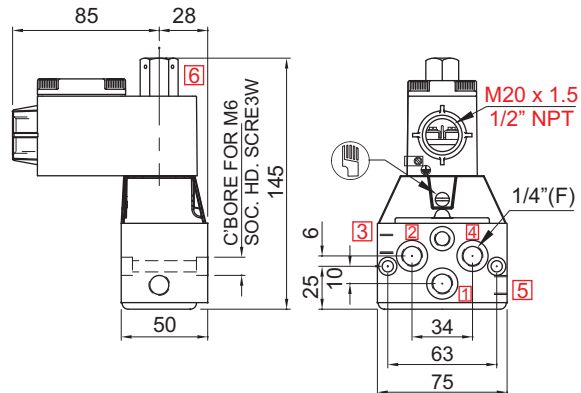
All Dimensions are in mm

### CONSTRUCTION REFERENCE : 500

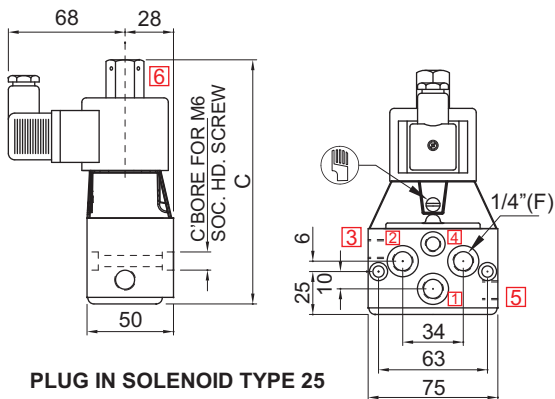
#### VALVE TYPE : 51400, 52400, 51401



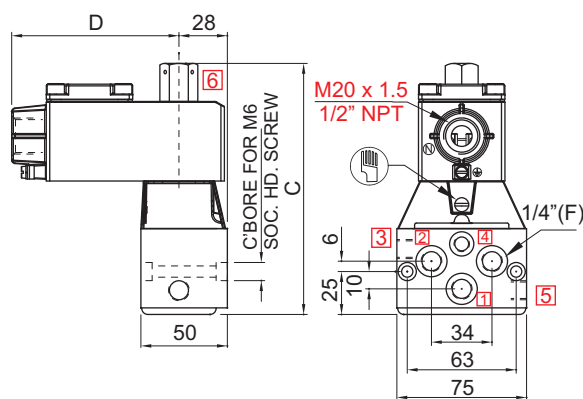
PLUG IN SOLENOID TYPE 22



TERMINAL BOX/ Ex d TYPE 16, 19, 37, 39, 58, 58LT



PLUG IN SOLENOID TYPE 25

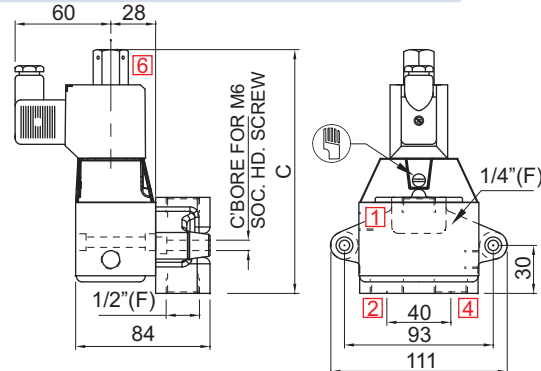


TERMINAL BOX/ Ex d LARGE ENCLOSURE, TYPE 16, 19, 37, 39, 58, 58LT

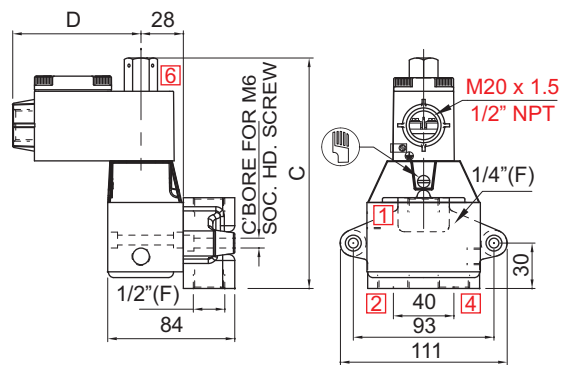
VALVE TYPE	CONST. REF.	
	C	REF.
52400, 51400, 51401	150	501
51402	162	512

### CONSTRUCTION REFERENCE : 501

#### VALVE TYPE : 51400, 51401, 52400

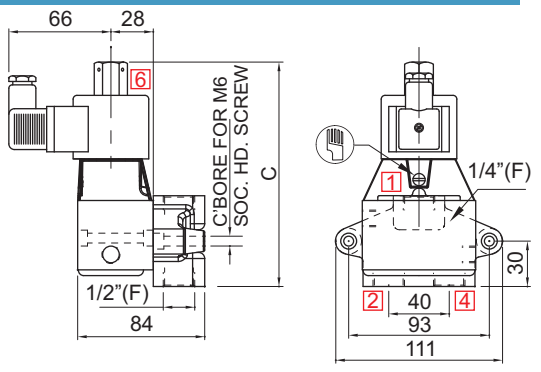


PLUG IN SOLENOID TYPE 22

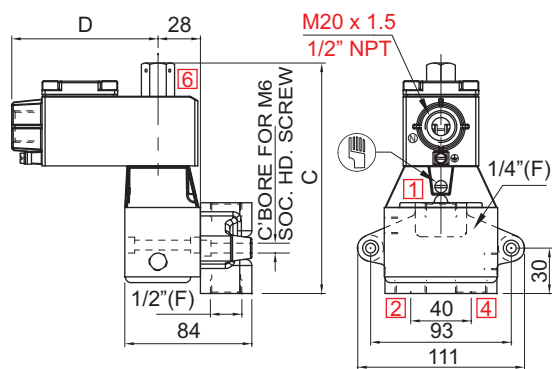


TERMINAL BOX/ Ex d TYPE 16, 19, 37, 39, 58, 58LT

### CONSTRUCTION REFERENCE : 501



PLUG IN SOLENOID TYPE 25



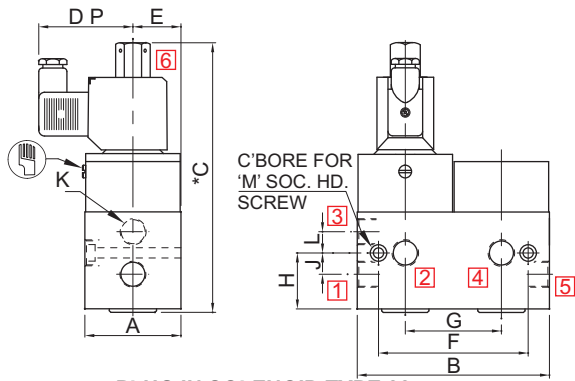
TERMINAL BOX/ Ex d LARGE ENCLOSURE, TYPE 16, 19, 37, 39, 58, 58LT

VALVE TYPE	CONST. REF.	
	C	REF.
52400, 51400, 51401	150	501
51402	162	512

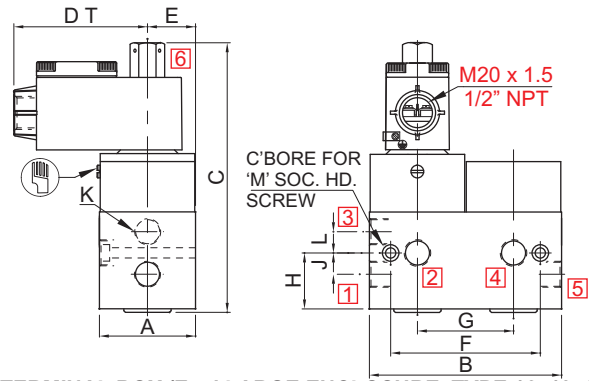
## 5/2 INTERNAL PILOT OPERATED, SINGLE SOLENOID POPPET VALVE

### DIMENSIONS

All Dimensions are in mm

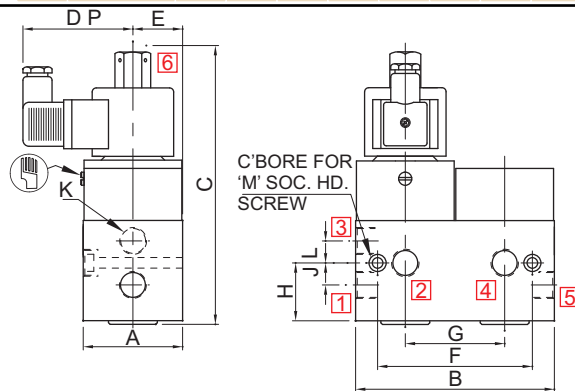


PLUG IN SOLENOID TYPE 22

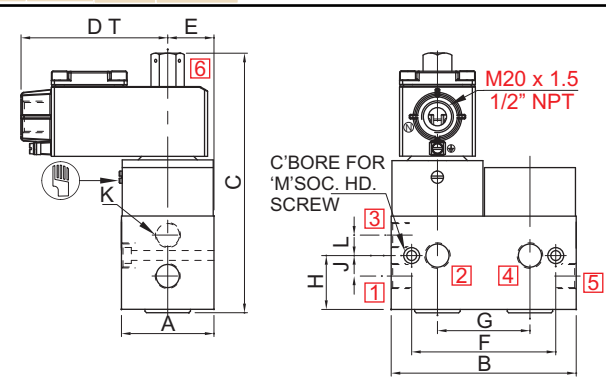


TERMINAL BOX / Ex d LARGE ENCLOSURE, TYPE 16, 19, 37, 39, 58, 58LT

NW	K (PORT SIZE)	A	B	C	DP	DT	E	F	G	H	J	L	M	CONST. REF.	C	CONST. REF.
<b>VALVE TYPE : 51432, 51433, 51434, 52433</b>																
															<b>51434</b>	
10	3/8"	61	122	171	60	85	30.5	95	61	35.5	13.5	13.5	M6	502	191	505
16	1/2"	81	165	201	60	85	40.5	145	81	47.5	18	18	M8	503	221	506
20	3/4"	81	165	210	60	85	40.5	145	81	57.5	26	23	M8	504	230	507

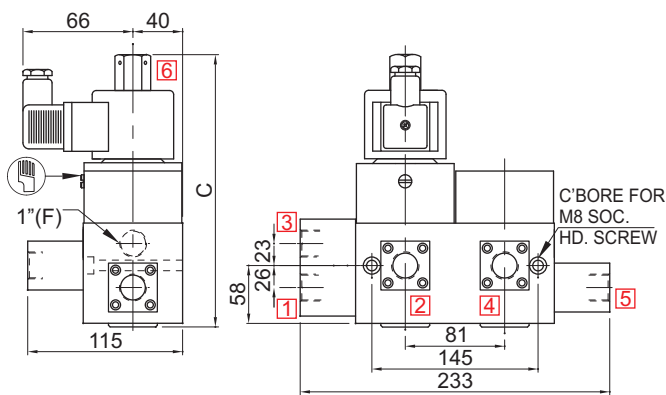


SQ. PLUG IN SOLENOID TYPE 25

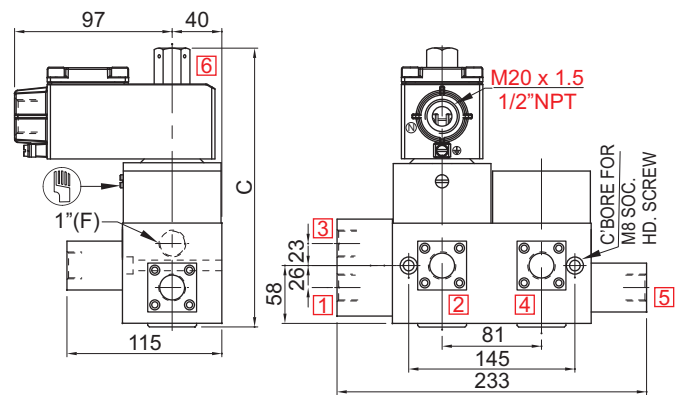


TERMINAL BOX / Ex d LARGE ENCLOSURE, TYPE 16, 19, 37, 39, 58, 58LT, LC

NW	K (PORT SIZE)	A	B	C	DP	DT	E	F	G	H	J	L	M	CONST. REF.	C	CONST. REF.
<b>VALVE TYPE : 51432, 51433, 51434</b>																
															<b>51434</b>	
10	3/8"	61	122	171	68	97	30.5	95	61	35.5	13.5	13.5	M6	502	191	505
16	1/2"	81	165	201	68	97	40.5	145	81	47.5	18	18	M8	503	221	506
20	3/4"	81	165	210	68	97	40.5	145	81	57.5	26	23	M8	504	230	507



PLUG IN SOLENOID TYPE 22/ 25



TERMINAL BOX / Ex d LARGE ENCLOSURE, TYPE 16, 19, 37, 39, 58, 58LT, LC

VALVE TYPE	C	CONST. REF.
51432/ 51433	210	508
51434	229	509