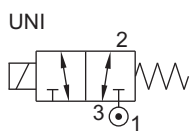
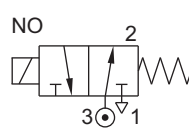


3/2 DIRECT ACTING, ALL PORTS IN BODY SOLENOID VALVE

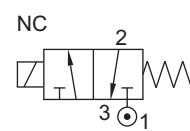
TYPE	PRESSURE
30372	0 - 10 bar



TYPE	PRESSURE
30272	0 - 16 bar



TYPE	PRESSURE
30172	0 - 16 bar



FEATURES

- Bubble tight shut off
- Mounts in any position
- Vibration resistance up to 6g
- Suitable for high speed cycling
- Speed up to 600 cycles/ min
- Life >10 million cycles
- Manual override optionally provided

WETTED PARTS

Code		B2	B5
Body		Brass	SS 316
Internals		Brass	SS 316
Guide Assembly	SS 304		
Shadow-Ring	Copper/ Silver/ None		
Plunger, Insert	SS 430		
Spring	SS 302		
Seat, Seals	NBR, Viton, EPDM		

AMBIENT AND FLUID TEMPERATURE

-30 °C to 75 °C

SPECIAL VERSION AND SUFFIX

Suffix : (Valve) OX, AM, WO
Special version : (Solenoid) CO, FR, SS, LC, III

MEDIA

Air, Inert Gases, Water, Free Flowing Liquid,
Oil, Diesel, Kerosene, LPG

APPLICATION

Single acting actuator/ Cylinder, control valve actuation
Diverting/ mixing of fluid

PORT CONNECTION

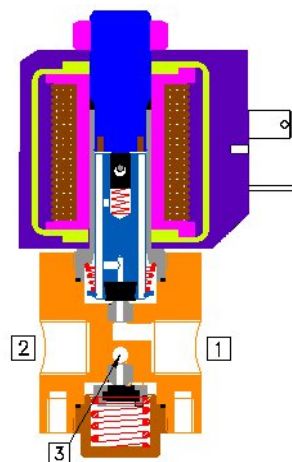
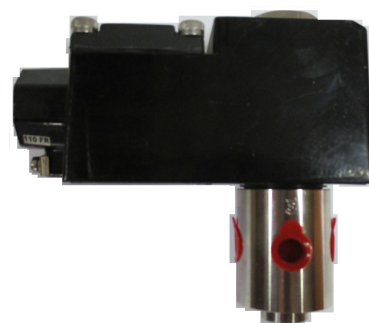
FUNCTION	INLET	OUTLET	EXHAUST
NC	1	2	3
NO	3	2	1
Mixing	1 and 3	2	
Diverting	2	1 and 3	

Contact Rotex for

- Any other ambient, fluid temperature, media and application
- UL listed, Listed general purpose Valve



OIL Media Temperature Restricted from 0 °C to 100 °C



SPARES

(Refer page 25 for ordering code)

SPARE KIT	CODE
Seal Kit : Oring Set and Plunger Assembly	98
Repair Kit : Oring Set, Plunger Assembly, Springs, Manual Override, Guide Assembly	99
Solenoid Kit : Solenoid, Gasket and Nut	34

APPROVAL

(* applied for)

Approval	TYPE 4X, 6P	IP67	Ex d IIC T4 or T5 or T6 IP66	Ex ia IIC T6 IP67	DGMS	CCOE
		✓	✓	✓	✓	✓
CE		✓	✓	✓		
UL	✓		*			
			✓	✓		
EAC			✓	✓		
			✓	✓		



7

3/2 DIRECT ACTING, ALL PORTS IN BODY SOLENOID VALVE

SPECIFICATION

PORT CONNECTION			PRE-SSURE bar	ORIFICE (mm)	FLOW FACTOR kv (LPM OF WATER @ 1 bar ΔP)	VALVE TYPE	PILOT PRESSURE	BODY MATERIAL AND INTERNALS						SEALS				MANUAL OVERRIDE	SOLENOID ENCLOSURE				SUFFIX		POWER VA		CONSTRUCTION REFERENCE NUMBER	
SIZE	BSP(F)	NPT(F)	MINIMUM					MAXIMUM	ALUMINIUM	ALUMINIUM + SS	BRASS (STD. PORT NPT)	SS 316 (STD. PORT NPT)	NBR	Viton	EPDM	HYTREL	Viton+PTFE		NIL	STAYPUT CUM MOMENTARY	MOMENTARY	FLYING LEAD	PLUG IN, IP67	SQ. PLUG IN, IP67	TERMINAL BOX IP67	FPJB Ex d IIC, T4 OR T6, IP67		LARGE ENCLOSURE

3/2 NORMALLY CLOSED

1/4"	2G	2R	0	8	3.5	5	30172			B2	B5	※	S2	S1		※					25	T	E	18	✓	✓	15	15	15	322		
			0	12	3	4	30172			B2	B5	※	S2	S1		※						25	T	E	18	✓	✓	15	15	15	322	
			0	16	2.5	3.5	30172			B2	B5	※	S2	S1		※						25	T	E	18	✓	✓	15	15	15	322	
			0	32	1.8	1.8	30172			B2	B5	※	S2	S1		※							25	T	E	18	✓	✓	15	15	15	322
			0	63	1.2	0.7	30172			B2	B5					S8	※						25	T	E	18	✓	✓	15	15	15	322

3/2 NORMALLY OPEN

1/4"	2G	2R	0	8	3.5	5	30272			B2	B5	※	S2	S1		※					25	T	E	18	✓	✓	15	15	15	322	
			0	6	3	4	30272			B2	B5	※	S2	S1		※						25	T	E	18	✓	✓	15	15	15	322
			0	10	2.5	3.5	30272			B2	B5	※	S2	S1		※						25	T	E	18	✓	✓	15	15	15	322
			0	15	1.8	1.8	30272			B2	B5	※	S2	S1		※						25	T	E	18	✓	✓	15	15	15	322
			0	63	1.2	0.7	30272			B2	B5					S8	※					25	T	E	18	✓	✓	15	15	15	322

3/2 UNIVERSAL

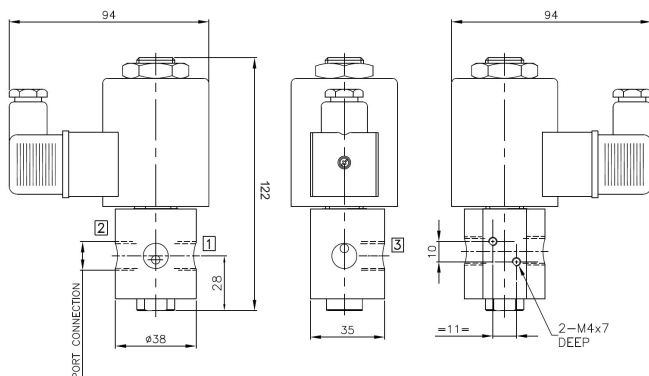
1/4"	2G	2R	0	4	3.5	5	30372			B2	B5	※	S2	S1		※					25	T	E	18	✓	✓	15	15	15	322	
			0	6	3	4	30372			B2	B5	※	S2	S1		※						25	T	E	18	✓	✓	15	15	15	322
			0	8	2.5	3.5	30372			B2	B5	※	S2	S1		※						25	T	E	18	✓	✓	15	15	15	322
			0	16	1.8	1.8	30372			B2	B5	※	S2	S1		※						25	T	E	18	✓	✓	15	15	15	322
			0	32	1.2	0.7	30372			B2	B5	※	S2	S1		※						25	T	E	18	✓	✓	15	15	15	322

Cable Entry	T	E	※ = Do not specify when opted for
M20 x 1.5	19	39	✓ = Options available
1/2" NPT	16	37	

DIMENSIONS

All Dimensions are in mm

CONSTRUCTION REF 322



ORDERING CODE AND EXAMPLE

VALVE + SOLENOID

TYPE - SUFFIX - ORIFICE - PORT CONNECTION
 BODY AND INTERNALS -SEAL- MEDIA + SIZE -
 VOLTAGE - CURRENT - SOLENOID ENCLOSURE -
 - SPECIAL VERSION - POWER - INSULATION - APPROVAL
 e.g. 30172-2.5-2R-B5-S2+II-24V-DC-25-LW15-H