

3/2 DIRECT ACTING SOLENOID VALVE

TYPE	PRESSURE	UNI	TYPE	PRESSURE	NO	TYPE	PRESSURE	NC
30301	0 - 14 bar		30201	0 - 20 bar		30125	0 - 20 bar	
30310	0 - 32 bar		30206	0 - 63 bar		30126	0 - 63 bar	

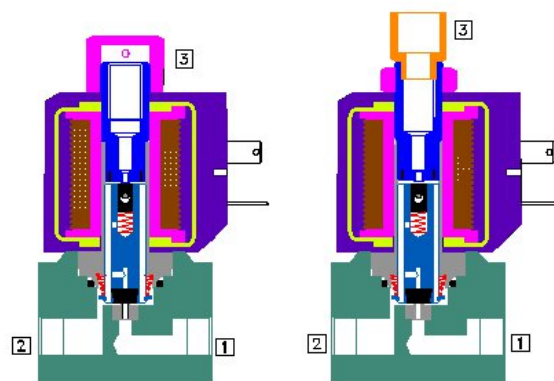
FEATURES

- Bubble tight shut off
- Mounts in any position
- Suitable for vacuum up to 10⁻⁶ torr
- Vibration resistance up to 9g
- Suitable for high speed cycling
- Speed up to 1000 cycles/ min
- Life >10 million cycles
- Manual override optionally provided



WETTED PARTS

Code	✕	B2	B5
Body	Anodized Aluminium	Brass	SS 316
Internals	Aluminium	Brass	SS 316
Guide Assembly	SS 304		
Shadow-Ring	Copper/ Silver/ None		
Plunger, Insert	SS 430		
Spring	SS 302		
Seat, Seals	NBR, Viton, EPDM		



AMBIENT AND FLUID TEMPERATURE

-30 °C to 75 °C

SPECIAL VERSION AND SUFFIX

Suffix : (Valve) OX, AM
Special version : (Coil) CO, FR, SS, LC, III, TM

MEDIA

Air, Inert Gases, Water

APPLICATION

Single acting actuator/ Cylinder/ control valve actuation
Diverting/ mixing of fluid

PORT CONNECTION

FUNCTION	INLET	OUTLET	EXHAUST
NC	1	2	3
NO	3	2	1
Mixing	1 and 3	2	
Diverting	2	1 and 3	

- Contact Rotex for
- Any other ambient, fluid temperature, media and application
 - UL listed, Listed general purpose Valve
 - Media like Water, Light Oil etc.

SPARES

(Refer page 25 for ordering code)

SPARE KIT	CODE
Seal Kit : Oring Set and Plunger Assembly	98
Repair Kit : Oring Set, Plunger Assembly, Springs, Manual Override, Guide Assembly	99
Solenoid Kit : Solenoid, Gasket and Nut	34

APPROVAL

(✕ applied for)

Approval	TYPE 4X, 6P	IP67	Ex d IIC T4 or T5 or T6 IP66	Ex ia IIC T6 IP67	DGMS	CCOE
		✓	✓	✓	✓	✓
		✓	✓	✓		
	✓		*			
			✓	✓		
			✓	✓		
			✓	✓		



3/2 DIRECT ACTING SOLENOID VALVE

SPECIFICATION

PORT CONNECTION			PRE-SURE bar		ORIFICE (mm)	FLOW FACTOR kv (LPM OF WATER @ 1 bar ΔP)	VALVE TYPE	PILOT PRESSURE	BODY MATERIAL AND INTERNALS						SEALS				MANUAL OVERRIDE			SOLENOID ENCLOSURE				SUFFIX		POWER VA		CONSTRUCTION REFERENCE NUMBER
SIZE	BSP(F)	NPT(F)	MINIMUM	MAXIMUM					ALUMINIUM	ALUMINIUM + SS	BRASS (STD. PORT NPT)	SS 316 (STD. PORT NPT)	NBR	Viton	EPDM	HYTREL	PTEE + Viton	NIL	STAYPUT CUM MOMENTARY	MOMENTARY	FLYING LEAD	PLUG IN, IP67	SQ. PLUG IN, IP67	TERMINAL BOX IP67	EXPLOSION PROOF IIC, IP67	LARGE ENCLOSURE	SOLENOID SIZE	OXYGEN	AMONIA	

3/2 NORMALLY OPEN

1/8" / 1/4" / 3/8" / 1/2"	1G / 2G / 3G / 4G	1R / 2R / 3R / 4R	0	4	3	4	30201	*	B2	B5	*	S2	S1		*	M6	M8	F	22	25	T	E	III	14	✓	✓	18	12	8	E	
			0	6	2.5	3.5	30201	*	B2	B5	*	S2	S1		*	M6	M8	F	22	25	T	E	III	14	✓	✓	18	12	8	E	
			0	6	4	7	30206	*	B2	B5	*	S2	S1		S8	*	M6	M8	F		25	T	E		18	✓	✓	13	13	13	G
			0	8	2.2	2.5	30201	*	B2	B5	*	S2	S1			*	M6	M8	F	22	25	T	E	III	14	✓	✓	18	12	8	E
			0	8	3.5	5	30206	*	B2	B5	*	S2	S1		S8	*	M6	M8	F		25	T	E		18	✓	✓	13	13	13	G
			0	12	3	4	30206	*	B2	B5	*	S2	S1		S8	*	M6	M8	F		25	T	E		18	✓	✓	13	13	13	G
			0	15	1.6	1.4	30201	*	B2	B5	*	S2	S1			*	M6	M8	F	22	25	T	E	III	14	✓	✓	18	12	8	E
			0	16	2.5	3.5	30206	*	B2	B5	*	S2	S1		S8	*	M6	M8	F		25	T	E		18	✓	✓	13	13	13	G
			0	20	1.2	0.7	30201	*	B2	B5	*	S2	S1			*	M6	M8	F	22	25	T	E	III	14	✓	✓	18	12	8	E
			0	25	2.2	2.5	30206	*	B2	B5	*	S2	S1		S8	*	M6	M8	F		25	T	E		18	✓	✓	13	13	13	G
			0	32	1.8	1.8	30206	*	B2	B5	*	S2	S1		S8	*	M12	M5	F		25	T	E		18	✓	✓	13	13	13	G
			0	63	1.2	0.7	30206	*	B2	B5					S8	*	M11	M4	F		25	T	E		18	✓	✓	13	13	13	G
			0	10	1.8	1.8	30201	*	B2	B5	*	S2	S1			*	M6	M8	F	22	25	T	E	III	14	✓	✓	18	12	8	F

Cable Entry	T	Öc/A	Öc/B	Öc/A(a
M20 x 1.5	FJ	HU	iiTÜ	iiTÜ
M25 x 1.5		ii	ii	ii
1/2" NPT	Ff	Hf	iiPÜ	iiPÜ

* = Do not specify when opted for. Refer Page # 22 for Value of
✓ = Options available

Code	Construction Reference
E	309, 311
F	310, 312
G	313, 315
H	314, 316

	F
Flying lead IP54	*
Flying lead IP67	01

ORDERING CODE AND EXAMPLE VALVE + SOLENOID

VALVE TYPE – SIL – SUFFIX – ORIFICE – PORT CONNECTION – BODY AND INTERNALS – MANUAL OVERRIDE – SEAL – MEDIA + SIZE – VOLTAGE – CURRENT – SOLENOID ENCLOSURE – SPECIAL VERSION – POWER – INSULATION – APPROVAL – SIL – ACCESSORIES SOLENOID

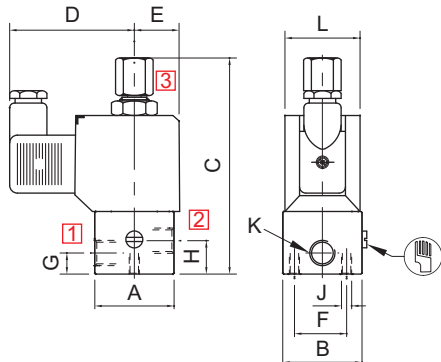
e.g. 30201-2.5-2G+I-24V-DC-22; 30206-2.2-2R-B5-S1+II-24V-DC-37-H



3/2 DIRECT ACTING SOLENOID VALVE

DIMENSIONS

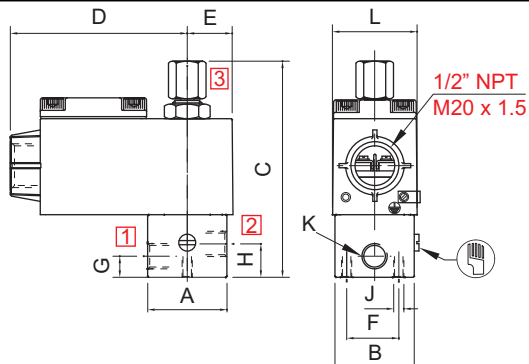
All Dimensions are in mm



PLUG IN SOLENOID TYPE 22

K (PORT SIZE)	A	B	C	D	E	F	G	H	J	L	BODY MATL.	CONST. REF.
VALVE TYPE : 30201, 30301												
1/8", 1/4"	38	38	98	60	22	25	10	16	M6	36	AL, BR	309
3/8", 1/2"	60	38	106	60	22	25	20.5	20.5	M6	36	AL, BR	310
1/8", 1/4"	44	Ø48	102	60	22	25	17	10.5	M6	36	SS	311
3/8", 1/2"	58	Ø62	111	60	22	25	14	14	M6	36	SS	312

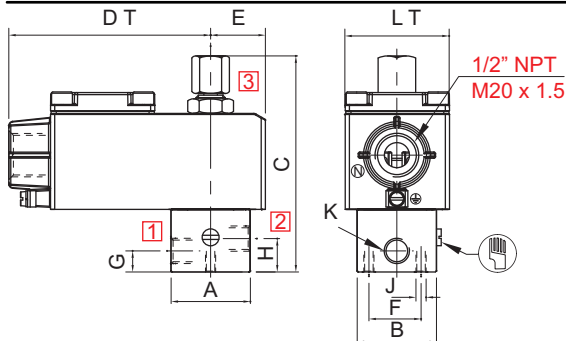
MANUAL OVERRIDE OPTIONALLY PROVIDED



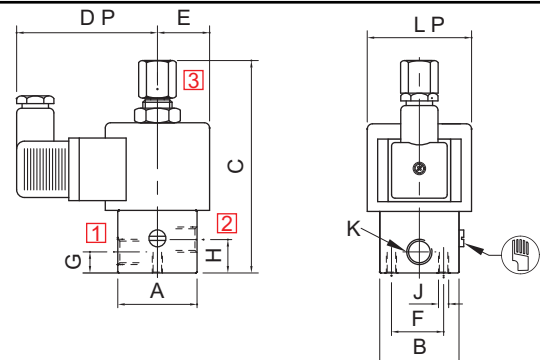
TERMINAL BOX/ Ex d ENCLOSURE, TYPE 16, 19, 37, 39, 58, 58LT

K (PORT SIZE)	A	B	C	D	E	F	G	H	J	L	BODY MATL.	CONST. REF.
VALVE TYPE : 30201, 30301												
1/8", 1/4"	38	38	102	85	22	25	10	16	M6	41	AL, BR	309
3/8", 1/2"	60	38	106	85	22	25	20.5	20.5	M6	41	AL, BR	310
1/8", 1/4"	44	Ø48	102	85	22	25	17	10.5	M6	41	SS	311
3/8", 1/2"	58	Ø62	111	85	22	25	14	14	M6	41	SS	312

MANUAL OVERRIDE OPTIONALLY PROVIDED



MANUAL OVERRIDE OPTIONALLY PROVIDED
**TERMINAL BOX/ Ex d LARGE ENCLOSURE,
 TYPE 16, 19, 37, 39, 58, 58LT, LC**



MANUAL OVERRIDE OPTIONALLY PROVIDED
SQUARE PLUG IN SOLENOID TYPE 25

K (PORT SIZE)	A	B	C	DT	DP	E	F	G	H	J	LP	LT	BODY MATL.	CONST. REF.
VALVE TYPE : 30201, 30301														
1/8", 1/4"	38	38	98	97	66	26	25	10	16	M6	Ø50	50	AL, BR	309
3/8", 1/2"	60	38	106	97	66	26	25	20.5	20.5	M6	Ø50	50	AL, BR	310
1/8", 1/4"	44	Ø48	102	97	66	26	25	17	10.5	M6	Ø50	50	SS	311
3/8", 1/2"	58	Ø62	111	97	66	26	25	14	14	M6	Ø50	50	SS	312
VALVE TYPE : 30206, 30310														
1/8", 1/4"	50	50	124	103	68	28	25	10	17	M6	Ø50	50	AL, BR	313
3/8", 1/2"	65	50	124	103	68	28	25	14	14	M6	Ø50	50	AL, BR	314
1/8", 1/4"	50	50	124	103	68	28	25	10	17	M6	Ø50	50	SS	315
3/8", 1/2"	65	50	124	103	68	28	25	14	14	M6	Ø50	50	SS	316