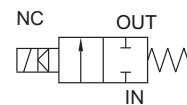


## TANK MOUNTED PULSE JET SOLENOID VALVE

TYPE	PRESSURE

TYPE	PRESSURE
24114BET	0.5 - 8.5 bar

TYPE	PRESSURE
24114	0.5 - 8.5 bar
24114B	0.5 - 8.5 bar
24114ET	0.5 - 8.5 bar



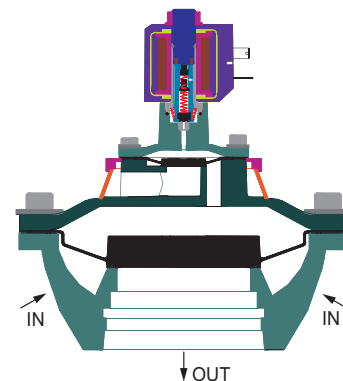
### FEATURES

- Pulse jet valve with two diaphragm designed for large flow, fast ON and OFF response
- Larger exhaust area for reducing noise
- Solenoid capable of turning 360°
- Tank mounted



### WETTED PARTS

Code	※
Body and Internals	Aluminium Die Cast
Guide Assembly	SS 304
Shadow-Ring	Copper
Plunger, Insert	SS 430
Diaphragm	Hytrel, Viton, NBR
Fasteners	SS 304
Seat, Seals	NBR, Viton, PTFE



### SPECIFICATION

RESPONSE TIME 30 ms  
MINIMUM ELECTRICAL PULSE 50 ms

### AMBIENT TEMPERATURE

5 °C to 85 °C

### FLUID TEMPERATURE

5 °C to 85 °C

### SPECIAL VERSION AND SUFFIX

Suffix : (Valve) AM  
Special version : (Solenoid) CO, FR, SS

### PORT CONNECTION

FUNCTION	INLET	OUTLET
NC	2	1

Contact Rotex for  
• Any other ambient, fluid temperature, media and application

### SPARES

(Refer page 25 for ordering code)

SPARE KIT	CODE
Diaphragm Kit : Diaphragm Kit	100
Seal Kit : Oring Set, Diaphragm Kit Plunger Assembly	98
Repair Kit : Oring Set, Diaphragm Kit Plunger Assembly, Fastener, Springs	99
Solenoid Kit : Solenoid, Gasket and Nut	34

### APPROVAL

( \* applied for )

Approval	TYPE 4X, 6P	IP67	Ex d IIC T4 or T5 or T6 IP66	Ex ia IIC T6 IP67	DGMS	CCOE
		✓	✓		✓	✓
CE		✓	✓			
UL	✓		*			
			✓			
			✓			
			✓			



