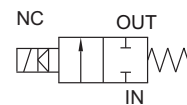


TANK MOUNTED PULSE JET SOLENOID VALVE

TYPE	PRESSURE

TYPE	PRESSURE
24114BET	0.5 - 8.5 bar

TYPE	PRESSURE
24114	0.5 - 8.5 bar
24114B	0.5 - 8.5 bar
24114ET	0.5 - 8.5 bar



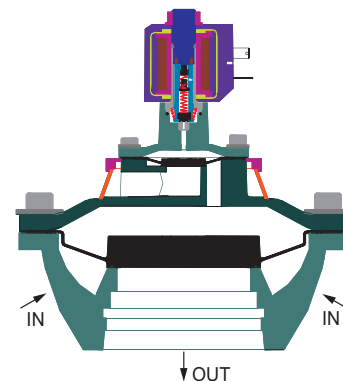
FEATURES

- Pulse jet valve with two diaphragm designed for large flow, fast ON and OFF response
- Larger exhaust area for reducing noise
- Solenoid capable of turning 360°
- Tank mounted



WETTED PARTS

Code	※
Body and Internals	Aluminium Die Cast
Guide Assembly	SS 304
Shadow-Ring	Copper
Plunger, Insert	SS 430
Diaphragm	Hytrel, Viton, NBR
Fasteners	SS 304
Seat, Seals	NBR, Viton, PTFE



SPECIFICATION

RESPONSE TIME 30 ms
MINIMUM ELECTRICAL PULSE 50 ms

AMBIENT TEMPERATURE

5 °C to 85 °C

FLUID TEMPERATURE

5 °C to 85 °C

SPECIAL VERSION AND SUFFIX

Suffix : (Valve) AM
Special version : (Solenoid) CO, FR, SS

PORT CONNECTION

FUNCTION	INLET	OUTLET
NC	2	1

Contact Rotex for
• Any other ambient, fluid temperature, media and application

SPARES

(Refer page 25 for ordering code)

SPARE KIT	CODE
Diaphragm Kit : Diaphragm Kit	100
Seal Kit : Oring Set, Diaphragm Kit Plunger Assembly	98
Repair Kit : Oring Set, Diaphragm Kit Plunger Assembly, Fastener, Springs	99
Solenoid Kit : Solenoid, Gasket and Nut	34

APPROVAL

(* applied for)

Approval	TYPE 4X, 6P	IP67	Ex d IIC T4 or T5 or T6 IP66	Ex ia IIC T6 IP67	DGMS	CCOE
		✓	✓		✓	✓
CE		✓	✓			
UL	✓		*			
			✓			
			✓			
			✓			



TANK MOUNTED PULSE JET SOLENOID VALVE

SPECIFICATION

SIZE	PORT CONNECTION	PRE-SURE bar		ORIFICE (mm)	FLOW FACTOR kv (LPM OF WATER @ 1 bar ΔP)	VALVE TYPE	PILOT PRESSURE	BODY MATERIAL AND INTERNALS						SEALS					MANUAL OVERRIDE		SOLENOID ENCLOSURE				SUFFIX		POWER VA		CONSTRUCTION REFERENCE NUMBER							
		MINIMUM	MAXIMUM					ALUMINIUM	ALUMINIUM + SS	BRASS (STD. PORT NPT)	SS 316 (CF8)	(STD. PORT NPT)	NBR	Viton	EPDM	HYTREL	PTFE	NIL	STAYPUT CUM MOMENTARY	MOMENTARY	FLYING LEAD	PLUG IN, IP67	SQ. PLUG IN, IP67	TERMINAL BOX IP67	EXPLOSION PROOF IIC, IP67	LARGE ENCLOSURE	SOLENOID SIZE	OXYGEN		AMONIA	AC INRUSH	AC HOLDING	DC			
INTEGRAL PILOT																																				
1 1/2"	12SB	0.5	8.5	52	113	24114	×							9	9	9	×									22	T	E	14			18	12	8	P15	
1 1/2"	12SB	0.5	8.5	52	113	24114B	×							9	9	9	×										22	T	E	14			18	12	8	P15
2"	16SB	0.5	8.5	52	133	24114	×							9	9	9	×										22	T	E	14			18	12	8	P15
2"	16SB	0.5	8.5	52	133	24114B	×							9	9	9	×										22	T	E	14			18	12	8	P15
2 1/2"	20SB	0.5	8.5	65	203	24114	×							9	9	9	×										22	T	E	14			18	12	8	P15
2 1/2"	20SB	0.5	8.5	65	203	24114B	×							9	9	9	×										22	T	E	14			18	12	8	P15
3"	24SB	0.5	8.5	80	303	24114	×							9	9	9	×										22	T	E	14			18	12	8	P15
3"	24SB	0.5	8.5	80	303	24114B	×							9	9	9	×										22	T	E	14			18	12	8	P15

Cable Entry	T	E				
		Øc	Øa	Øc	Øa	
M20 x 1.5	FJ	HJ	IT	U	IT	U
M25 x 1.5		I	I	S	V	U
1/2" NPT	F	H	IT	U	IT	U

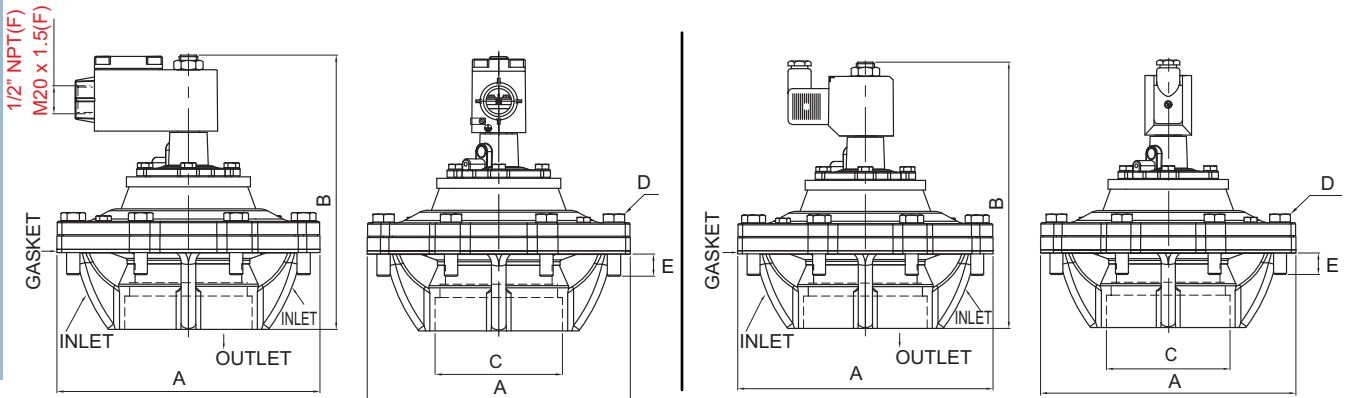
* = Do not specify when opted for. Refer Page # 22 for Value of *

ORDERING CODE, EXAMPLE VALVE + SOLENOID

TYPE – PORT CONNECTION – BODY AND INTERNALS – SEAL +
 VOLTAGE- CURRENT – SOLENOID ENCLOSURE – APPROVAL – INSULATION
 e.g. 24114-80-SB+220V-50Hz-16.

DIMENSIONS All Dimensions are in mm

CONSTRUCTION REFERENCE P15



TERMINAL BOX/ Ex d/ LARGE ENCLOSURE, TYPE 16, 19, 37, 39, 58, 58L

PLUG IN SOLENOID TYPE 22/ 25

ΧΑΞΧΟΑΪΥΟ	ΡΥ	CE	Ó	Ô	Ö	Ò
G FFI	ι€	FJ	GE	HÁÚÓ	T Fεl	FI
G FFI Ó	ι€	FJ	GE	HÁÚÓ	T FεG	FF
G FFI	ii	FJ	FJH	ΓΑΪΑÚÓ	T iεG	ei
G FFI Ó	ii	FJ	FJH	ΓΑΪΑÚÓ	T iεF	FF
G FFI	ιG	FJ	FJ	ΓÁÚÓ	T iεH	ei
G FFI Ó	ιG	FJ	FJ	ΓÁÚÓ	T iεF	FG
G FFI	ιG	FJ	FJ	ΓΑΪΑÚÓ	T iεH	ei
G FFI Ó	ιG	FJ	FJ	ΓΑΪΑÚÓ	T iεF	FG