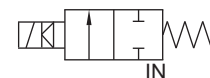


25 NB DRESSER NUT PULSE JET SOLENOID VALVE

TYPE	PRESSURE

TYPE	PRESSURE

TYPE	PRESSURE
24108	0.5 - 8.5 bar



FEATURES

- Larger exhaust area for reducing noise
- Solenoid capable of turning 360°
- Direct pipe mounted
- Easily removable

WETTED PARTS

Code	※
Body and Internals	Aluminium Die Cast
Guide Assembly	SS 304
Shadow-Ring	Copper
Plunger, Insert	SS 430
Diaphragm	TPU
Fasteners	SS 304
Seat, Seals	NBR

SPECIFICATION

FLOW FACTOR

RESPONSE TIME 30 ms
MINIMUM ELECTRICAL PULSE 30 ms

AMBIENT TEMPERATURE

-5 °C to 85 °C

FLUID TEMPERATURE

-5 °C to 85 °C

PORT CONNECTION

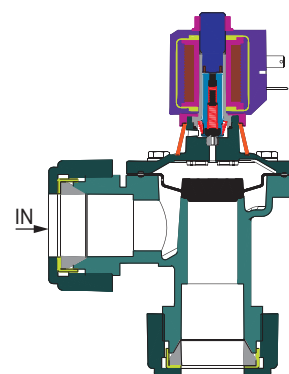
FUNCTION	INLET	OUTLET
NC	2	1

Contact Rotex for
• Any other ambient, fluid temperature, media and application



CONTACT ROTEX BEFORE SELECTING THIS ITEM

SM



SPARES

(Refer page 25 for ordering code)

SPARE KIT	CODE
Diaphragm Kit : Diaphragm Kit	100
Seal Kit : Oring Set Diaphragm Kit, Plunger Assembly	98
Repair Kit : Oring Set, Diaphragm, Plunger Assembly, Fastener, Springs, Dresser Nut, Silencer, Guide Assembly	99
Solenoid Kit : Solenoid, Gasket and Nut	34

APPROVAL

(※ applied for)

Approval	TYPE 4X, 6P	IP67	Ex d IIC T4 or T5 or T6 IP66	Ex ia IIC T6 IP67	DGMS	CCOE
		✓	✓		✓	✓
CE		✓	✓			
UL	✓		*			
			✓			
ERC			✓			
			✓			



25 NB DRESSER NUT PULSE JET SOLENOID VALVE

SPECIFICATION

SIZE	DRESSER NUT	PRE-SSURE bar		ORIFICE (mm)	FLOW FACTOR Kv (LPM OF WATER @ 1 bar ΔP)	VALVE TYPE	PILOT PRESSURE	BODY MATERIAL AND INTERNALS						DIAPHRAGM		MANUAL OVERRIDE		SOLENOID ENCLOSURE		POWER VA			CONSTRUCTION REFERENCE NUMBER
		MINIMUM	MAXIMUM					ALUMINIUM	ALUMINIUM + SS	BRASS (STD. PORT NPT)	SS 316/CF8 (STD. PORT NPT)	NBR	Viton	EPDM	HYTREL	TPU	NIL	STAYPUT CUM MOMENTARY	MOMENTARY	FLYING LEAD	PLUG IN, IP67	SQ. PLUG IN, IP67	

DRESSER NUT INTEGRAL PILOT

3/4"	6D	0.5	8.5	28	280	24108AD	×								S25			22	T	E	14			18	12	8	P11
1"	8D	0.5	8.5	28	310	24108AD	×								S25			22	T	E	14			18	12	8	P11

Cable Entry	T	E	
		ÖcÄ	ÖcÄ(ä
M20 x 1.5	FJ	HU	iiTÜ
M25 x 1.5		ii	ii
1/2" NPT	Ff	H	ii bÜ

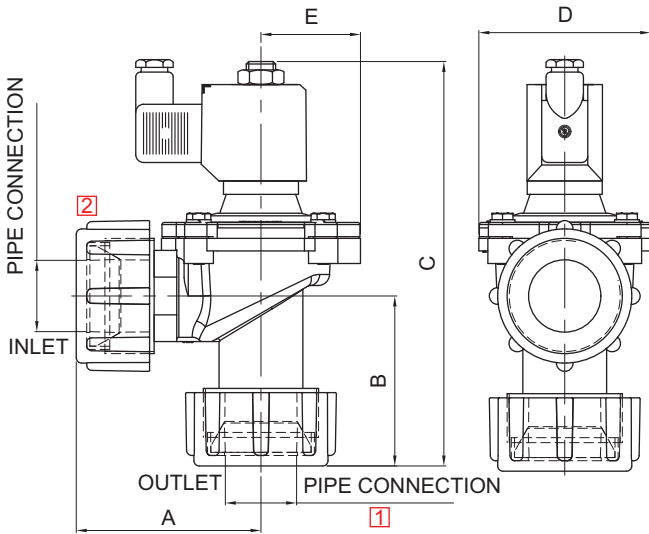
× = Do not specify when opted for. Refer Page # 22 for Value of ×

ORDERING CODE, EXAMPLE VALVE + SOLENOID

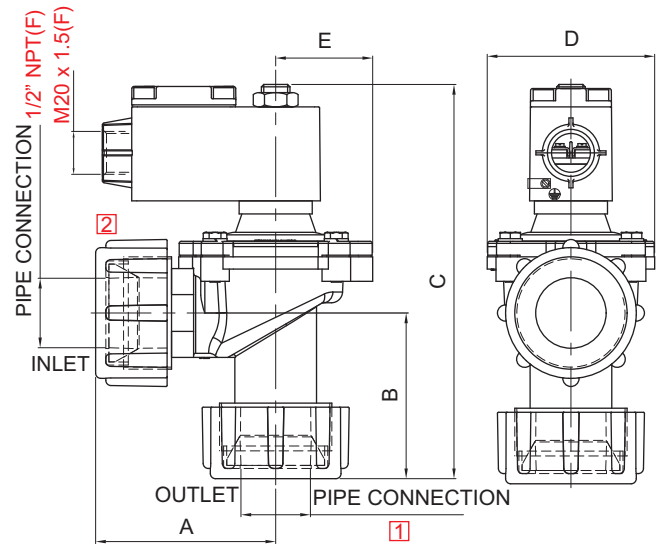
TYPE - ORIFICE - PORT CONNECTION - BODY AND INTERNALS - SEAL +
 VOLTAGE - CURRENT - SOLENOID ENCLOSURE - POWER - INSULATION - APPROVAL
 e.g. 24108-28-8D-S25+I-230V-50Hz-39-H

DIMENSIONS All Dimensions are in mm

CONSTRUCTION REFERENCE P11



PLUG IN SOLENOID TYPE 22/ 25



TERMINAL BOX/ Ex d/ LARGE ENCLOSURE, TYPE 16, 19, 37, 39, 58, 58LT

VALVE TYPE	NW	PIPE CONN.	A	B	C	D	E
24108AD	28	3/4"	88	81	171	82	48
24108AD	28	1"	88	81	198	82	48

