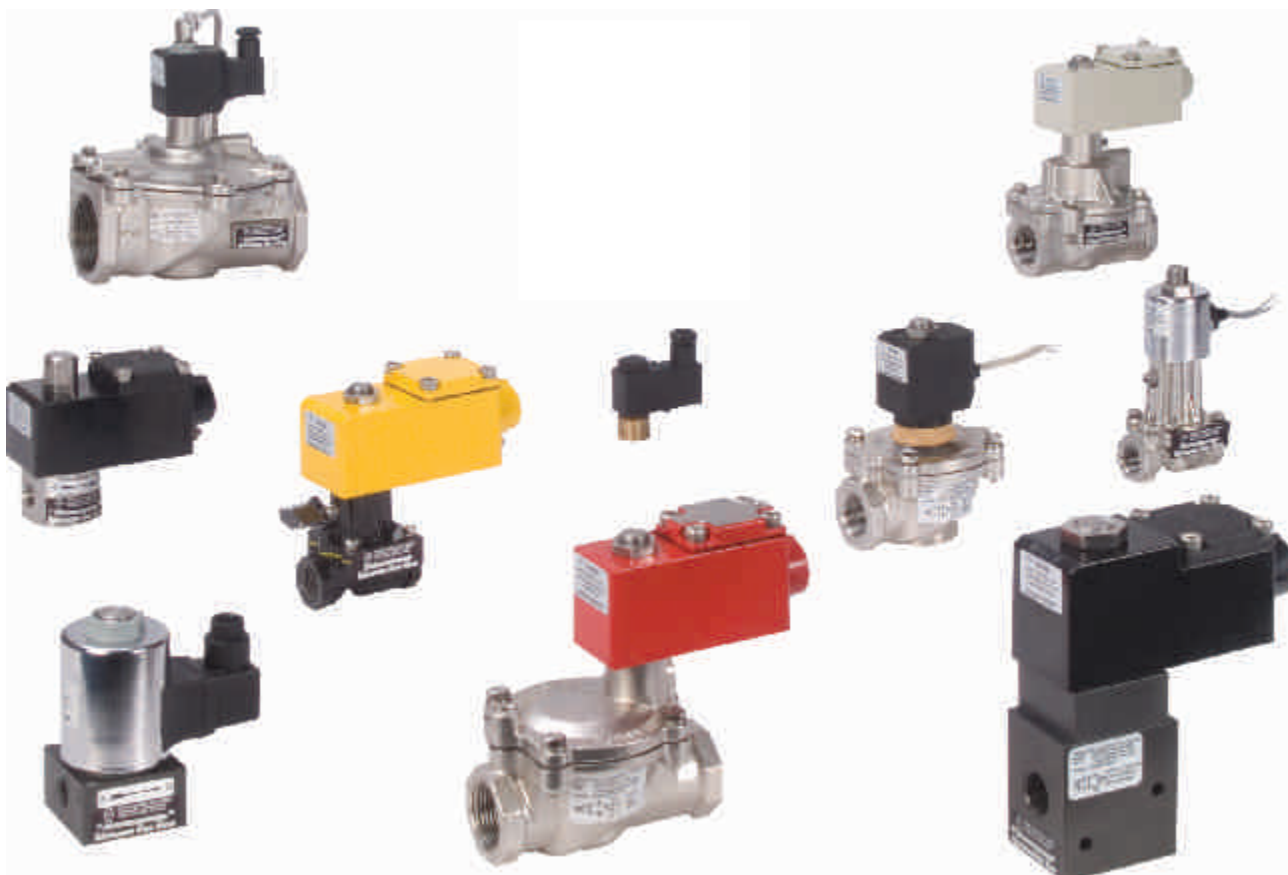


**2 PORT VALVE**



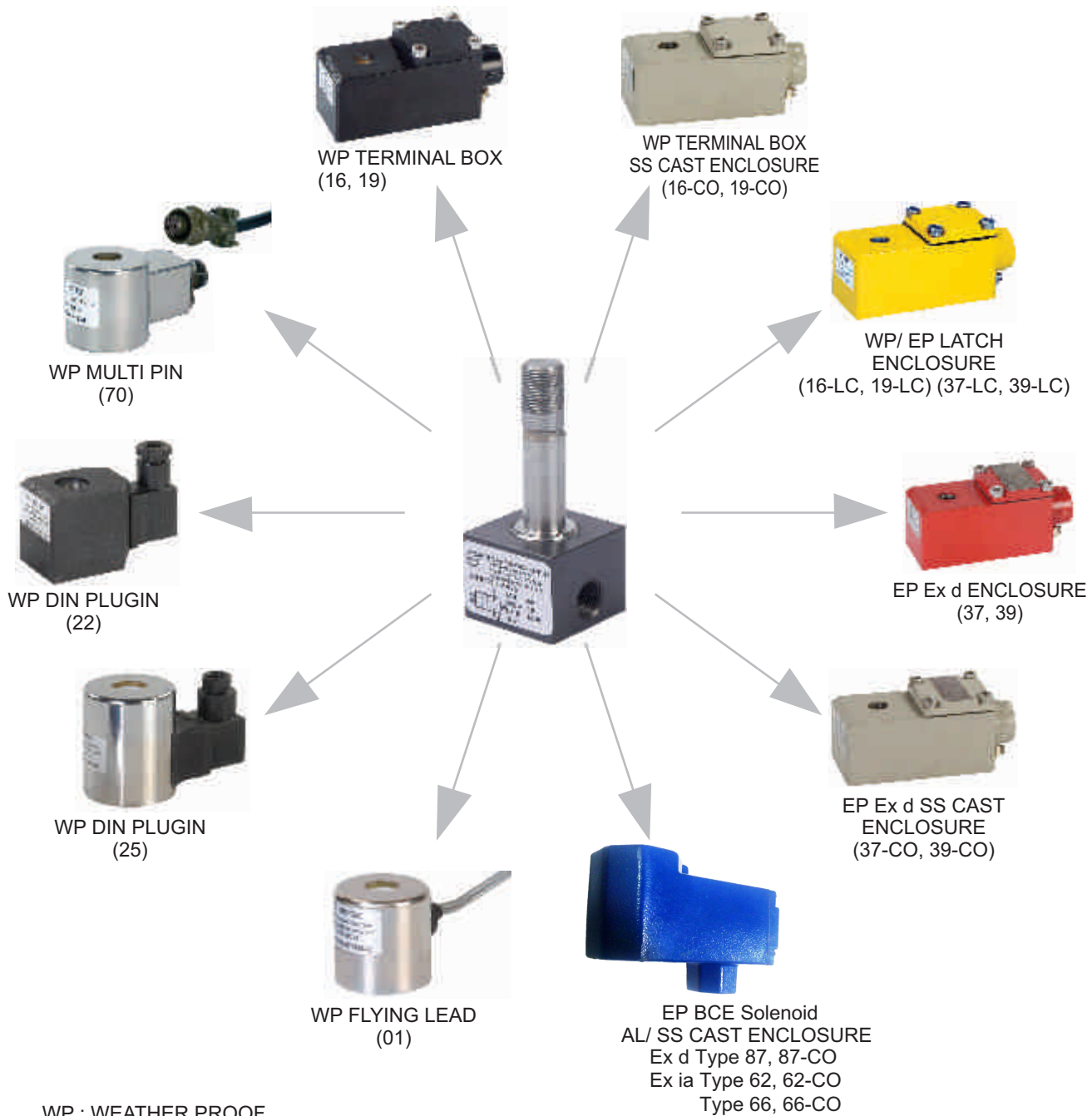
6

TYPE	ORIFICE	PRESSURE	PAGE	ORIFICE	PRESSURE	PAGE
	mm	bar	NO.	mm	bar	NO.
	NORMALLY CLOSED VALVE			NORMALLY OPEN VALVE		
Direct Acting	0.8 - 12	0 - 100	73	0 - 5	0 - 63	79
Direct Acting General Purpose	1.5 - 2.5	0 - 14	77			
Direct Acting (All Ports in Body)	1.2 - 3	0 - 20	83	1.2 - 3	0 - 20	83
Diaphragm Actuated	12 To 50	0.2 - 20	85	12 To 50	0.2 - 21	85
Direct Acting High Orifice	12 To 50	0 - 10	91			
Diaphragm Actuated (General Purpose)	12 To 50	0.2 - 20	93			
Diaphragm Actuated (L Ports)	12 To 50	0.2 - 20	95			
Poppet Actuated	12 To 50	0.5 - 40	97	12 To 50	0.5 - 40	97
Isolated Piston	12 To 50	0 - 20	101	12 To 50	0 - 20	101
Isolated Piston Bi Directional	12 To 50	0 - 10	103	12 To 50	0 - 10	103
Air Operated Air Fail To Open				12 To 50	0 - 40	105
Isolated Piston Air Operated	12 To 50	0 - 40	107	12 To 50	0 - 40	107
Direct Acting High Pressure	1.2 To 1.4	0 - 400	109			
Poppet Actuated High Pressure	12 To 50	4 - 70	111	12 To 50	4 - 70	111
Poppet Actuated High Pressure	12 To 25	5 - 400	113			

## 2/2 SOLENOID VALVE

### SOLENOID INTERCHANGEABILITY

6

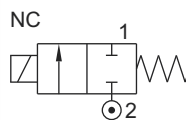


ROTEX TWO PORT VALVE PROVIDES INTERCHANGEABILITY FOR VARIOUS SOLENOID ENCLOSURES, VOLTAGE AND CURRENT WITHOUT AFFECTING ITS PERFORMANCE.

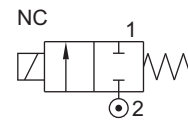
## 2/2 DIRECT ACTING, HIGH ORIFICE NORMALLY CLOSED SOLENOID VALVE

TYPE	PRESSURE

TYPE	PRESSURE
20172V02LP	0 - 5 bar
20172V03LP-40	0 - 5 bar



TYPE	PRESSURE
20172V02	0 - 10 bar
20172V03-40	0 - 10 bar

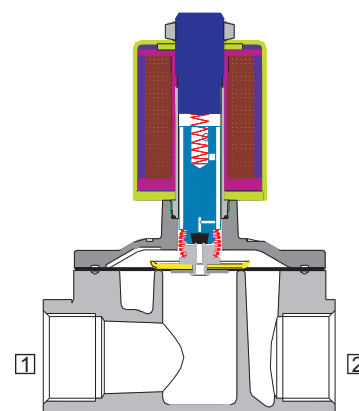


### FEATURES

- Bubble tight shut off
- Vibration resistance up to 9g
- Suitable for high speed cycling
- Speed up to 100 cycles/ min.
- Mount Valve Horizontal Only ( PIPE Connection Perrelal to Ground)

### WETTED PARTS

Code		B12	B13
Body		CF8M	CF8
Diaphragm	Viton, NBR, EPDM		
Guide Assembly	SS 304		
Shadow-Ring	Copper		
Plunger, Insert	SS 430		
Spring	SS 302		
Seat, Seals	NBR, Viton, EPDM		
Fasteners	SS 304		



### AMBIENT AND FLUID TEMPERATURE

-30 °C to 75 °C

### SPECIAL VERSION AND SUFFIX

Suffix : (Valve) OX, AM  
Special version : (Solenoid) CO, FR, SS

### MEDIA

Air, Inert gases, Water, Free flowing liquid, Oil, Diesel, Kerosene, LPG, CNG

### APPLICATION

Drain shut off

### PORT CONNECTION

ACTION	INLET	OUTLET
NC	2	1

### SPARES

(Refer page 25 for ordering code)

SPARE KIT	CODE
<b>Diaphragm Kit</b> : Diaphragm Set	100
<b>Seal Kit</b> : Oring Set, Diaphragm Set, Plunger Assembly	98
<b>Repair Kit</b> : Oring Set, Diaphragm Set, Plunger Assembly, Fastener, Springs, Guide Assembly	99
<b>Solenoid Kit</b> : Solenoid, Gasket	34

### APPROVAL

( \* applied for)

Approval	TYPE 4X, 6P	IP67	Ex d IIC T4 or T5 or T6 IP66	Ex ia IIC T6 IP67	DGMS	CCOE
		✓	✓	✓	✓	✓
CE						
UL						
ERC						

Contact Rotex for any other ambient, fluid temperature, media and application



OIL Media Temperature Restricted from 0 °C to 100 °C



## 2/2 DIRECT ACTING, HIGH ORIFICE NORMALLY CLOSED SOLENOID VALVE

### SPECIFICATION

PORT CONNECTION		PRE-SSURE bar		ORIFICE (mm)	FLOW FACTOR kv (LPM OF WATER @ 1 bar ΔP)	VALVE TYPE	PILOT PRESSURE	BODY MATERIAL AND INTERNALS					SEALS					MANUAL OVERRIDE		SOLENOID ENCLOSURE WEATHER PROOF		EXPLOSION PROOF		SUFFIX		POWER VA		CONSTRUCTION REFERENCE NUMBER
SIZE	BSP(F)	NPT(F)	MINIMUM					MAXIMUM	ALUMINIUM	CF8M & SS316	BRASS	CF8 & SS316	NBR	Viton	EPDM	HYTREL	PTFE	NIL	STAYPUT CUM MOMENTARY	FLYING LEAD	PLUG IN, IP67	SQ. PLUG IN, IP67	TERMINAL BOX IP67	EXPLOSION PROOF IIC,IP67	LARGE ENCLOSURE	SOLENOID SIZE	OXYGEN	

#### 2/2 NORMALLY CLOSED

1/2"	4G	4R	0	10	12	50	20172V02	B12	B13	S0	S2			*					T	E	18	✓	✓	30	30	30	15
3/4"	6G	6R	0	10	20	95	20172V02	B12	B13	S0	S2			*					T	E	18	✓	✓	30	30	30	20
1"	8G	8R	0	10	25	160	20172V02	B12	B13	S0	S2			*					T	E	18	✓	✓	30	30	30	20
1 1/2"	12G	12R	0	10	40	350	20172V03	B12	B13	S0	S2			*					T	E	18	✓	✓	30	30	30	30
1/2"	4G	4R	0	5	12	50	GEFI GXECSU	B12	B13	S0	S2			*				25	T	E	18	✓	✓	20	20	15	15
3/4"	6G	6R	0	5	20	95	GEFI GXECSU	B12	B13	S0	S2			*				25	T	E	18	✓	✓	20	20	15	20
1"	8G	8R	0	5	25	160	GEFI GXECSU	B12	B13	S0	S2			*				25	T	E	18	✓	✓	20	20	15	20
1 1/2"	12G	12R	0	5	40	350	GEFI GXECSU	B12	B13	S0	S2			*				25	T	E	18	✓	✓	20	20	15	30
2"	16G	16R	0	5	50	560	GEFI GXECSU	B12	B13	S0	S2			*				25	T	E	18	✓	✓	20	20	15	30

SOLENOID 18			
Cable Entry	T	Øc/A	E
M20 x 1.5	FJ	11TÜ HU	11TÜ 11SVTÜ
M25 x 1.5	F	11	11 11SV
1/2" NPT	F	11PÜ H	11PÜ 11SVPÜ

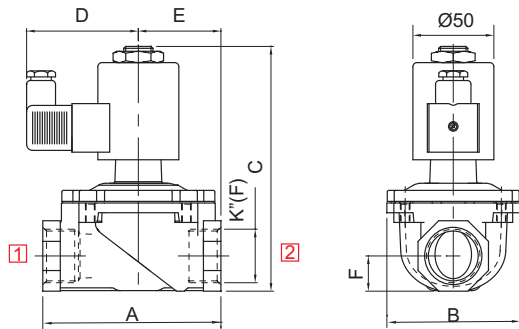
\* = Do not specify when opted for. Refer Page # 22 for Value of \*  
 ✓ = Options available

### ORDERING CODE AND EXAMPLE VALVE + SOLENOID

VALVETYPE - SUFFIX - ORIFICE - PORT CONNECTION - BODY AND INTERNALS - SEAL - MEDIA +  
 SIZE - VOLTAGE - CURRENT - SOLENOID ENCLOSURE - SPECIALVERSION - POWER - INSULATION - APPROVAL  
 e.g. 20172V02-25-8G-B12-S0+II-24V-DC-16-LW30; 20172V02-12-4G-B13-S2+II-230V-AC/DC-19-FR-LW30-H

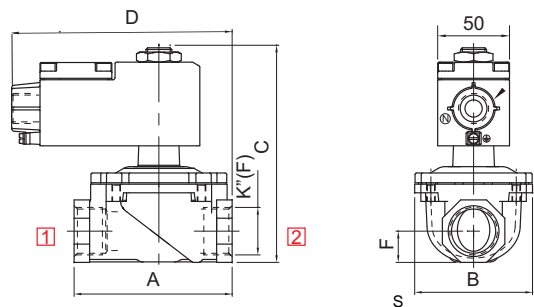
### DIMENSIONS

All Dimensions are in mm



#### SQUARE PLUG IN SOLENOID TYPE 25

NW	K (PORT SIZE)	A	B	C	D	E	F	CONST. REF.
<b>VALVE TYPE : 20172V02/20172V03/20172V02LP</b>								
12	1/2", 3/8", 1/4"	65	50	124	66	29	15	29
20	3/4"	84	64	137	66	42	17	30
25	1"	110	93	142	66	51	25	31
40	1 1/2"	135	94	157	68	68	30	32A



#### TERMINAL BOX/ Ex d LARGE ENCLOSURE, TYPE 16, 19, 37, 39, 58, 58LT, LC

NW	K (PORT SIZE)	A	B	C	D	E	F	CONST. REF.
<b>VALVE TYPE : 20172V02/20172V03/20172V02LP</b>								
12	1/2", 3/8", 1/4"	65	50	124	132	00	15	29
20	3/4"	84	64	137	132	00	17	30
25	1"	110	82	142	132	00	25	31
40	1 1/2"	135	94	157	132	00	30	
50	2"	165	140	190	132	00	38	32

Plug In Coil type 25 can be supplied only for 'DC' Voltages.