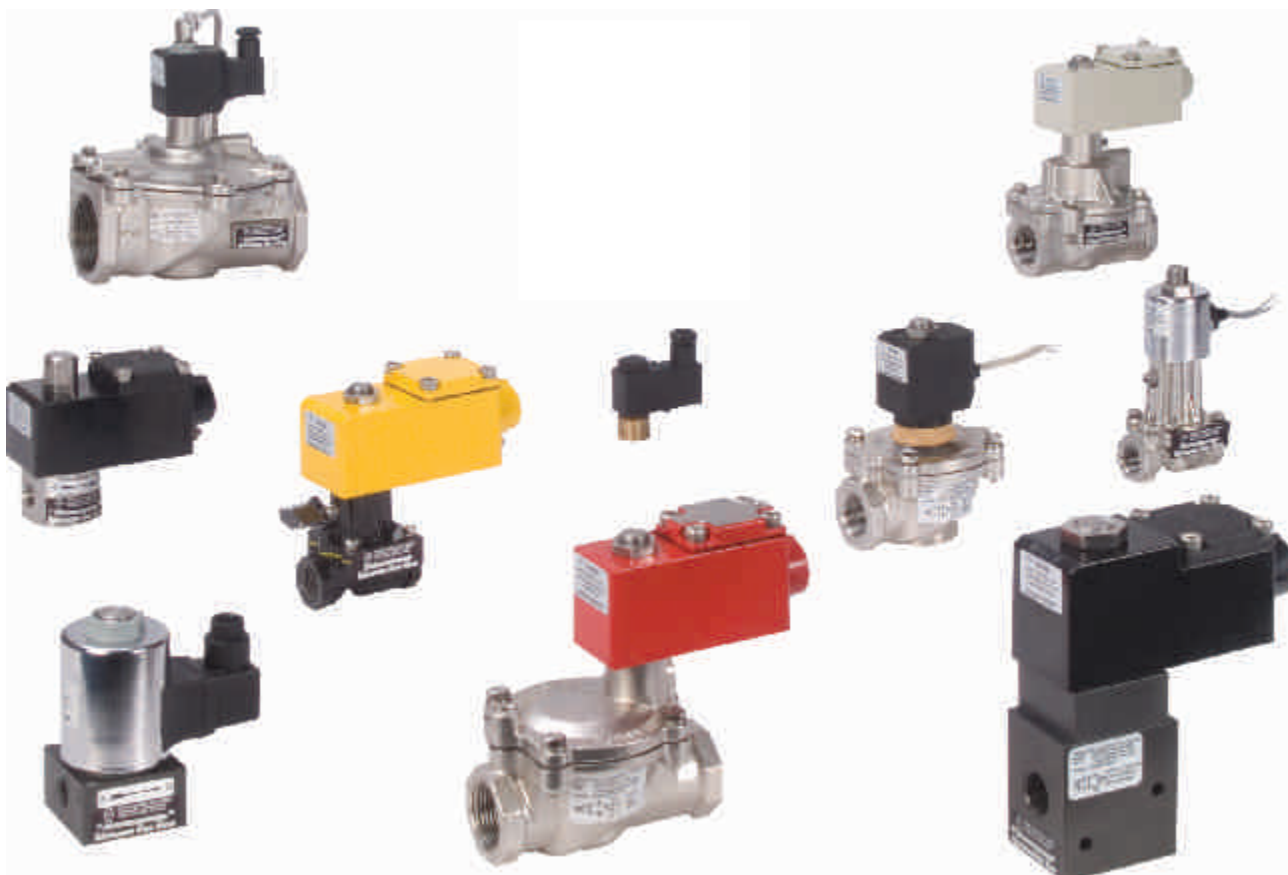


2 PORT VALVE



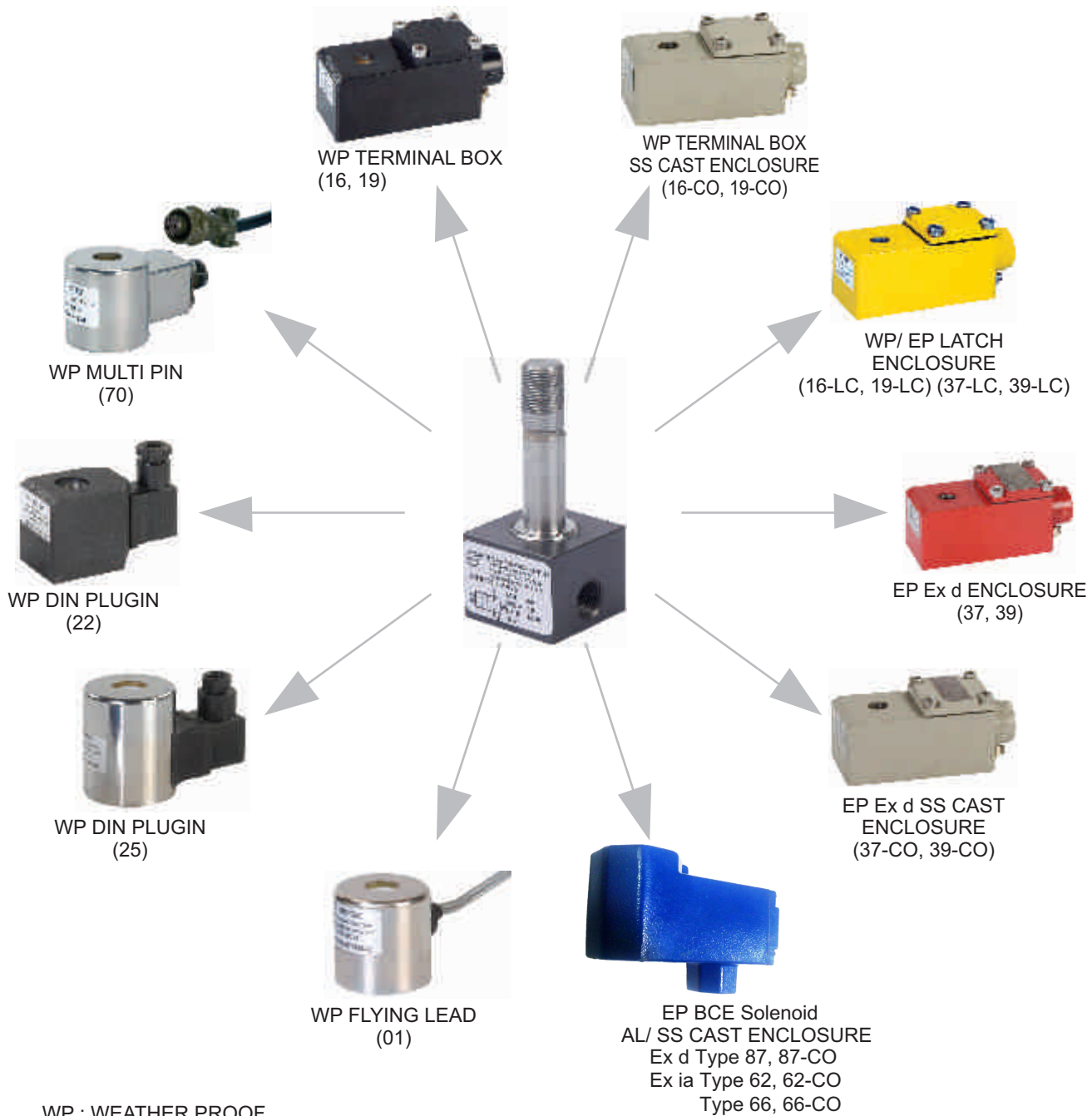
6

TYPE	ORIFICE	PRESSURE	PAGE	ORIFICE	PRESSURE	PAGE
	mm	bar	NO.	mm	bar	NO.
	NORMALLY CLOSED VALVE			NORMALLY OPEN VALVE		
Direct Acting	0.8 - 12	0 - 100	73	0 - 5	0 - 63	79
Direct Acting General Purpose	1.5 - 2.5	0 - 14	77			
Direct Acting (All Ports in Body)	1.2 - 3	0 - 20	83	1.2 - 3	0 - 20	83
Diaphragm Actuated	12 To 50	0.2 - 20	85	12 To 50	0.2 - 21	85
Direct Acting High Orifice	12 To 50	0 - 10	91			
Diaphragm Actuated (General Purpose)	12 To 50	0.2 - 20	93			
Diaphragm Actuated (L Ports)	12 To 50	0.2 - 20	95			
Poppet Actuated	12 To 50	0.5 - 40	97	12 To 50	0.5 - 40	97
Isolated Piston	12 To 50	0 - 20	101	12 To 50	0 - 20	101
Isolated Piston Bi Directional	12 To 50	0 - 10	103	12 To 50	0 - 10	103
Air Operated Air Fail To Open				12 To 50	0 - 40	105
Isolated Piston Air Operated	12 To 50	0 - 40	107	12 To 50	0 - 40	107
Direct Acting High Pressure	1.2 To 1.4	0 - 400	109			
Poppet Actuated High Pressure	12 To 50	4 - 70	111	12 To 50	4 - 70	111
Poppet Actuated High Pressure	12 To 25	5 - 400	113			

2/2 SOLENOID VALVE

SOLENOID INTERCHANGEABILITY

6



WP : WEATHER PROOF
EP : EXPLOSION PROOF

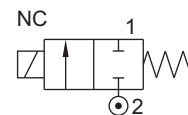
ROTEX TWO PORT VALVE PROVIDES INTERCHANGEABILITY FOR VARIOUS SOLENOID ENCLOSURES, VOLTAGE AND CURRENT WITHOUT AFFECTING ITS PERFORMANCE.

2/2 DIRECT ACTING HIGH PRESSURE SOLENOID VALVE

TYPE	PRESSURE

TYPE	PRESSURE

TYPE	PRESSURE
20116V01	0 - 400 bar
20116V02	0 - 450 bar



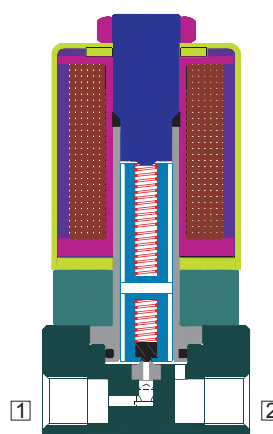
FEATURES

- Bubble tight shut off
- Mounts in any position
- Vibration resistance up to 9g
- Suitable for high speed cycling
- Speed up to 300 cycles/ min



WETTED PARTS

Code		B5
Body		SS 316
Internals		SS 316
Guide Assembly	SS 304	
Shadow-Ring	None	
Plunger, Insert	SS 430	
Spring	SS 302	
Seat, Seals	PTFE, Viton	
Fasteners	SS 304	



AMBIENT AND FLUID TEMPERATURE

-20 °C to 80 °C

SPECIAL VERSION AND SUFFIX

Suffix : (Valve) AM
Special version : (Solenoid) CO, FR, SS, LC, TM

MEDIA

Air, Inert Gases, Water, Vacuum, Free Flowing Liquids, Oil, Diesel, Kerosene, LPG, CNG

APPLICATION

Fuel Gas Cutoff

PORT CONNECTION

FUNCTION	INLET	OUTLET
NC	2	1

Contact Rotex for
• Any other ambient, fluid temperature, media and application

SPARES

(Refer page 25 for ordering code)

SPARE KIT	CODE
Seal Kit : Oring Set, Plunger Assembly	98
Repair Kit : Oring Set, Plunger Assembly, Springs, Guide Assembly	99
Solenoid Kit : Solenoid, Gasket	34

APPROVAL

(* applied for)

Approval	TYPE 4X, 6P	IP67	Ex d IIC T4 or T5 or T6 IP66	Ex ia IIC T6 IP67	DGMS	CCOE
		✓	✓	✓	✓	✓
CE		✓	✓	✓		
UL	✓		*			
			✓	✓		
ERC			✓	✓		
			✓	✓		



OIL Media Temperature Restricted from 0 °C to 100 °C



6

2/2 DIRECT ACTING HIGH PRESSURE SOLENOID VALVE

SPECIFICATION

PORT CONNECTION		PRE-SSURE bar	ORIFICE (mm)	FLOW FACTOR KV (LPM OF WATER @ 1 bar ΔP)	VALVE TYPE	PILOT PRESSURE	BODY MATERIAL AND INTERNALS					SEALS				MANUAL OVERRIDE	SOLENOID ENCLOSURE				SUFFIX		POWER VA		CONSTRUCTION REFERENCE NUMBER		
SIZE	BSP(F) NPT(F)						MINIMUM	MAXIMUM	ALUMINIUM	ALUMINIUM + SS	BRASS (STD. PORT NPT)	SS 316 (STD. PORT NPT)	NBR	Viton	EPDM		HYTREL	PTFE	NIL	STAYPUT CUM MOMENTARY	MOMENTARY	FLYING LEAD	PLUG IN, IP67	SQ. PLUG IN, IP67		TERMINAL BOX IP67	EXPLOSION PROOF IIC, IP67

2/2 NORMALLY CLOSED

1/4"	2R	0	400	1.2	0.5	20116V01								S4	*					25	T	E	18	✓	20	20	20	91
		0	300	1.6	0.6	20116V01									S4	*					25	T	E	18	✓	20	20	20
1/2"	4R	0	100	1.8	1.3	20116V01								S4	*					25	T	E	18	✓	20	20	20	92
		0	450	1.2	0.5	20116V02									S4	*						T	E	18	✓	30	30	30

SOLENOID 18

Cable Entry	T	Øc/ā	E	Øc/ā / ā
M20 x 1.5	FJ	FITÜ	H IITÜ	ITÜ IISVTÜ
M25 x 1.5	F	I	I	I ISV
1/2" NPT	F	FIPÜ	H IIPÜ	IPÜ IISVPÜ

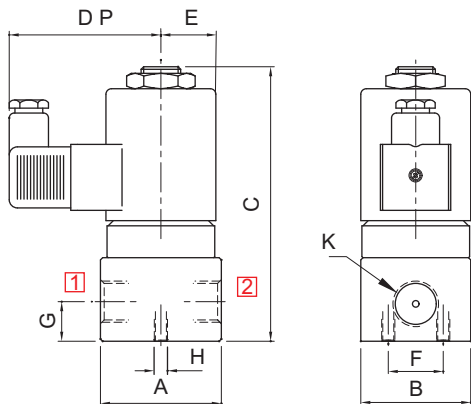
* = Do not specify when opted for. Refer Page # 22 for Value of *
✓ = Options available

ORDERING CODE AND EXAMPLE VALVE + SOLENOID

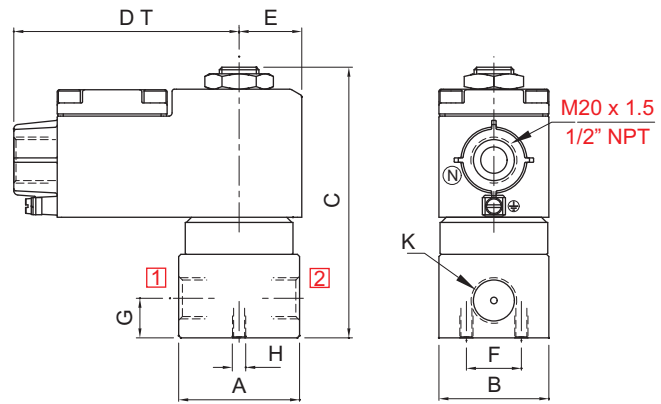
VALVE TYPE - SUFFIX - ORIFICE - PORT CONNECTION - BODY AND INTERNALS - SEAL - MEDIA +
SIZE - VOLTAGE - CURRENT - SOLENOID ENCLOSURE - SPECIAL VERSION - POWER - INSULATION - APPROVAL
e.g. 20116V01-1.2-2R-B5-S4+II-230V-AC/DC-25-RC-LW20; 20116V01-1.6-2R-B5-S4+II-24V-DC-16-LW20-H

DIMENSIONS

All Dimensions are in mm

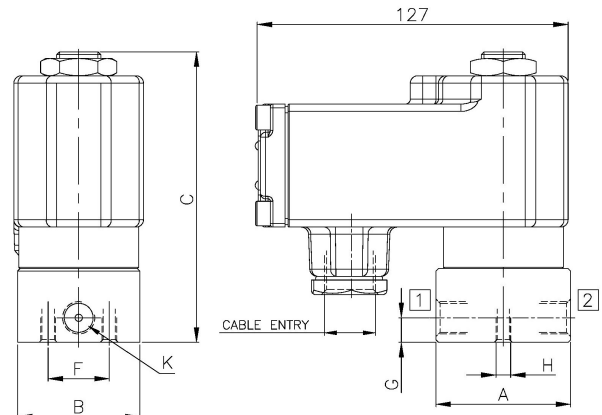


PLUG IN SOLENOID TYPE 22/ 25



TERMINAL BOX/ Ex d/ TYPE 16, 19, 37, 39, 58, 58LT

K (PORT SIZE)	A	B	C	DP	DT	E	F	G	H	CONST. REF.
VALVE TYPE : 20116V01										
1/4"	55	50	115	66	104	28	25	10	M6	91
1/2"	55	50	123	66	104	28	25	14	M6	92



PLUG IN SOLENOID TYPE 87