



FIXTURLASER EXO

SHAFT ALIGNMENT IN HAZARDOUS AREA



acoem
CREATING ENVIRONMENTS OF POSSIBILITY



Why Choose Acoem

At ACOEM, we shorten the path between monitoring and informed action. As a globally recognised provider of class-leading, multi-parameter proactive maintenance and condition monitoring solutions for rotating machinery, we offer our customers a range of Artificial Intelligence (AI) vibration measurement and integrated shaft laser alignment technologies, software and systems.

For more than 40 years we have been designing and manufacturing purpose-driven solutions that easily adapt to changes in technology, to protect your critical rotating assets and ensure that they operate with maximum efficiency — extending the life of your machinery and avoiding costly repairs or breakdowns.

We believe in helping our customers find the right balance between progress and preservation. We empower industries and businesses to make knowledgeable decisions based on our accurate and reliable data. Our holistic solutions lead to operational excellence and better outcomes.

Together, we create environments of possibility.

Fixturlaser EXO

Safeguard Your Maintenance Team and Production

Our core values have led to the development of several first industry functions, where True Live and VertiZonal™ Moves are unique on the market for laser-based shaft alignment tools. They bring an ease of use to our end users, which above all facilitates easy precision shaft alignment, on-the-job time saving, improved reliability and most importantly, money savings. With the FIXTURLASER EXO, you get all this in an intrinsically safe shaft alignment package.

GuideU

Our Graphical User Interface, Your Alignment Guide

Our patented icon-based and color-coded user interface makes it easy to measure, align, and document each job. In order to minimize the risk of operator errors, we developed an icon-driven, adaptive user interface for the EXO system.

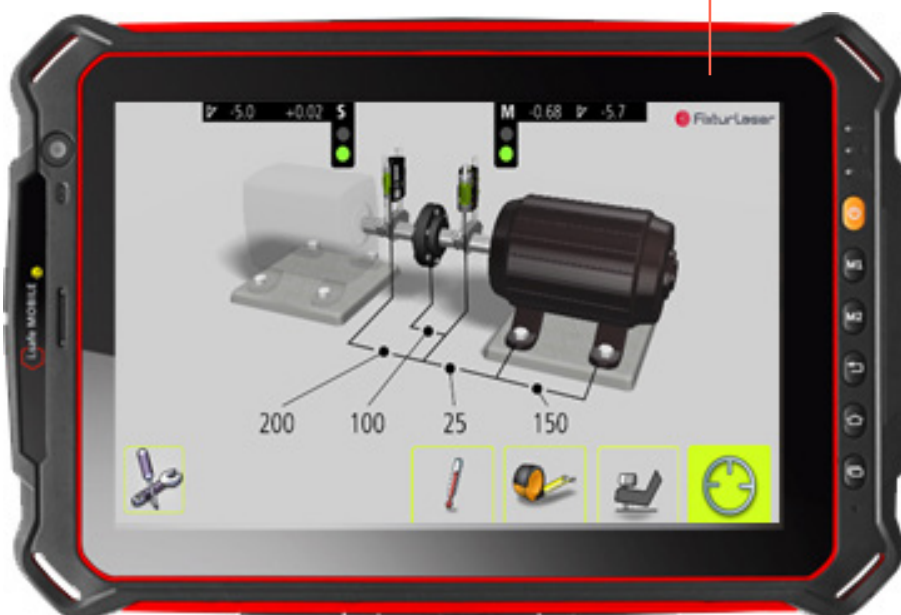
This adaptive user interface guides the user throughout the job in logical and easy to follow steps. It will deliver measurement and correction values based on what the system finds during the alignment process.

This eliminates confusion for less-experienced users and provides ease of access throughout a measurement with the EXO system. To add to the enhanced user experience, we have given the interface a game-like 3D graphic look facilitating unmistakable interpretation of any misalignment error.

Our icon-driven, language-free alignment systems produce measurement reports easily understood by all users, regardless of their language.

Easy-to-Use Shaft Alignment in Hazardous Areas

ATEX/IECEX Zone 2 certified
including ruggedized IP68
tablet device



Instant battery check-in both on and off mode

Integrated Bluetooth for wireless communication between display unit and smart sensors

30 mm digital sensor detector + line laser eliminates rough alignment a short setup time

Thinnest smart sensors on the market

Built-in dual inclinometers to detect backlash and obtain angular values during measurement in horizontal alignment

Premounted fixtures a short setup time



EXO In the case

- Tablet EXO
- Fixturlaser M4 Ex
- Fixturlaser S4 Ex
- Rod kit NXA
- 2 pcs. Chain 8 mm 60 links (L=970 mm)
- 2 pcs.V-bracket complete Ex
- 2 pcs. Angled universal tool
- Ext power cable EUR 2m
- Ext power cable US 2m
- Tape measure 3m 10feet Ex
- 2 pcs. USB-cable A-mini B 2m
- Power supply 5 USB-ports 5 VDC
- User Manual EXO english

Alignment features in explosive atmospheres



Horizontal Alignment

Machine alignment.



Vertical Alignment

Machine alignment.



Feetlock™

Solution to solve base-bound and/or bolt-bound machines.



PDF Reporting

Fast on site reporting available converting saved measurement reports into PDF files.



VertiZontal™ Moves

Displays exactly how much a misaligned machine needs to be adjusted.



Mobile Connectivity

Integrated Wi-Fi, Bluetooth, and camera.



Target Values

Determined the machine's thermal expansion.



Softcheck™

To diagnose soft foot problems.



The True Live Feature

This feature delivers live measurement values showing the machine's exact position. Did you interrupt the laser beam? Or move the machine's position out of detector range? Not a problem, our smart sensors will resume with an updated machine position and always deliver live values to you.



The True Live Feature

This feature delivers live measurement values showing the machine's exact position. Did you interrupt the laser beam? Or move the machine's position out of detector range? Not a problem, our smart sensors will resume with an updated machine position and always deliver live values to you.

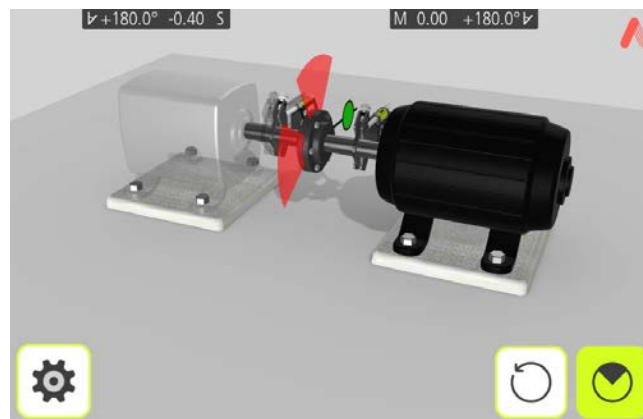
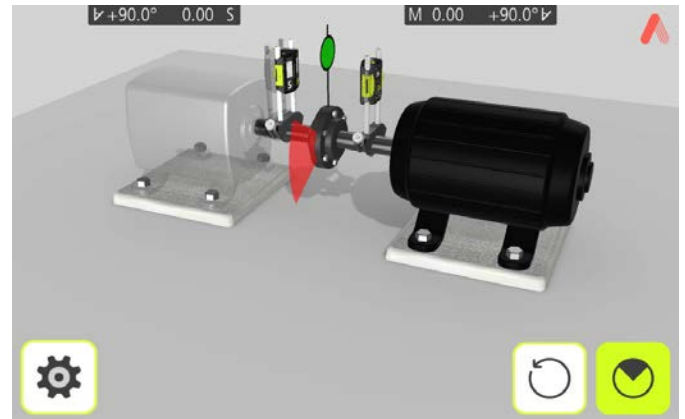
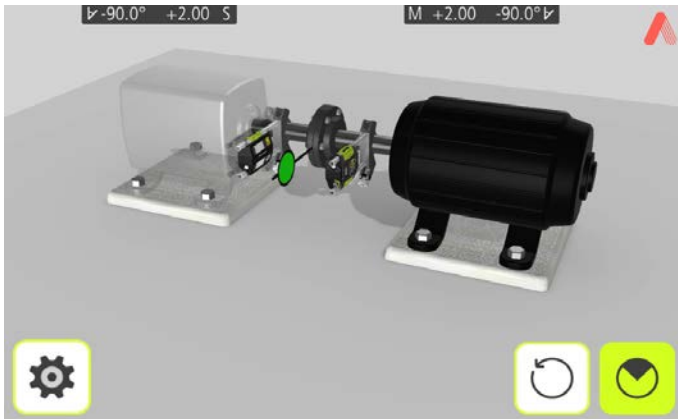


Tripoint™ Method

In the Tripoint method, the alignment condition can be calculated by taking three points while rotating the shaft at least 60°. In this method, all points are taken manually.

Our color, icon and app based graphical user interface

GuideU will take you from start to goal without hesitation and guess work, all clearly displayed on an 8 inch tablet (EX/ATEX)



+0.17	-0.16	+0.10/100	-0.32
+1.29	+0.49	+0.25/100	+0.10

TD-units M4 Ex 1-1043/S4 Ex 1-1044

Weight including all standard parts:	6,6 kg (14,6 lbs)
Weight:	M4 Ex: 220 g (7,8 oz) S4 Ex: 190 g (6.7 oz)
Dimensions:	92mm x 77mm x 33mm (3.6 in x 3 in x 1.3 in)
Operating Temp:	0 to 50°C (32 to 122°F)
Storage Temp:	-20 to 70°C (-4 to 158°F)
Relative humidity:	10 – 90%
Environmental protection:	IP 65 (Dust tight and protected against water jets)
Laser	650 nm class II diode laser
Laser power	< 1 mW
Measurement distance	Up to 10 m
Detector	2nd gen. digital sensor
Detector length	30mm (1,2 in)
Detector resolution	1 µm
Measurement accuracy	0,3%
Signal processing:	Digital signal processing with Sidespot rejection, edge detection, ambient light elimination and anti-vibration mode
Inclinometer:	Dual High Performance MEMS inclinometers
Inclinometer resolution	0,01°
Inclinometer accuracy	±0,2°
Wireless communication:	Class I Bluetooth transmitter
Communication range	10 m (33 ft)
Charging:	5V, 0,5A
Operating time:	12 hours continuous use (measuring)
Battery Charging time (system off, room temperature)	5 hours
Shaft brackets:	
Shaft diameter:	Ø 25-175 mm (1"-6.9") Ø 25-450 mm (1"-18") (with extension chains)
Rods:	4 pcs 100 mm (3,9 in) and 4 pcs 150 mm (5,9 in) Extendable to 250 mm (9,8 in)



COMPLIES WITH 21 CFR 1040.10 AND 1040.11 EXCEPT FOR DEVIATIONS PURSUANT TO LASER NOTICE No. 50, DATED JUNE 24, 2007



About Acoem

Creating environments of possibility

At Acoem, we create environments of possibility - helping organisations find the right balance between progress and preservation - safeguarding businesses and assets, and maximising opportunities while conserving the planet's resources. We deliver unrivalled, interoperable AI-powered sensors and ecosystems that empower our customers to make enlightened decisions based on accurate information.

Together with 150 distributors, our 800+ employees work across 26 offices, 5 manufacturing facilities and 3 R&D centres in 11 countries to provide trusted, holistic data solutions for customers worldwide.

Acoem links possibilities with protection.

For more information, please visit acoem.com



Acoem India

Corporate Office:

Ground Floor, 1965, Alembic City, Gorwa,
Vadodara, Gujarat - 390003

info.in@acoem.com | +91 265 6180 700 | acoem.com
Vadodara | Indore | Delhi | Hyderabad