

Linear Electric Actuator

Model: KS_FY018

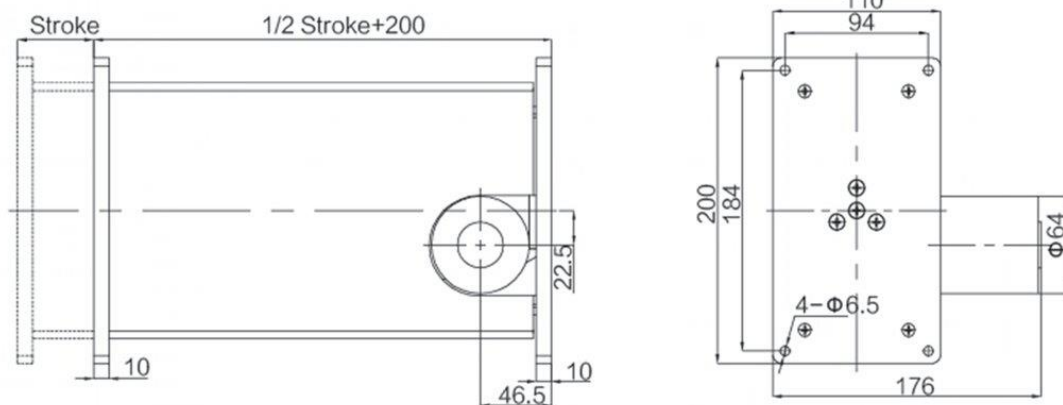


1.45M Wire Length



Mono Plug

Dimension Drawing



Technical specification:

Stroke Length	300mm
Speed	4mm/s
Load Capacity	6000N
Protection Class	IP20
Mode of Operation	Push/Pull
Operating Temperature	-15°C ~ 45°C
Duty Cycle	Type of duty: 10%, 2min. on / 18min. off
Limit Switch	Internal Limit Switch
Power Rating	55W
Input Volt	24 volt

Features:

- Compact design
- Aluminium frame & extension tube
- Built in limit switch
- Low noise
- Electrical operation only

Application:

- Material Handling
- Factory Automation
- Packaging & converting