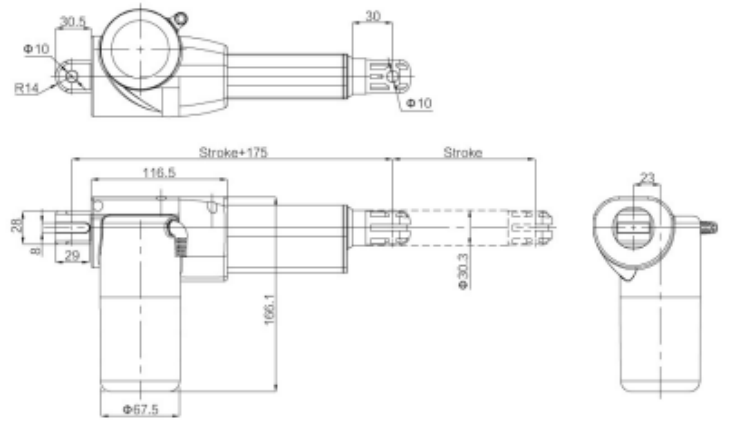


## Linear Actuator Model No: KS\_FY011D



1.45m Wire Length



Input Volt: 24 Volt



Mono Plug

Other specifications:

Free load speed	10mm/s
Load capacity	4000N
Protection class	IP43
Duty cycle	2 min on/18 min off
Stroke length	150mm

Application:

- Material Handling
- Factory Automation
- Packaging & converting

Features:

- Compact design
- Aluminium frame & extension tube
- Built in limit switch
- Low noise
- Electrical operation only