

# Linear Actuators

Model No : KS01

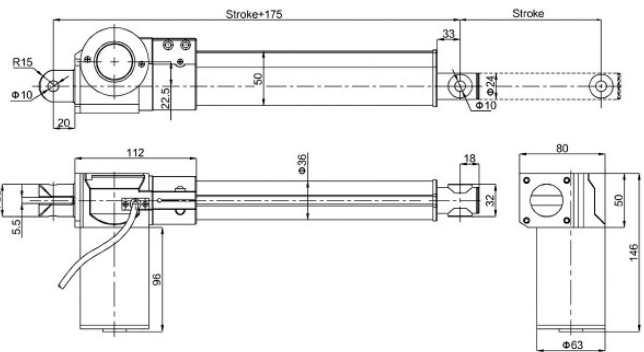


1.45m  
wire length

Input volt : 24 volt  
Current Rating : 2.3 A



MONO PLUG



## Other Specification :

Free load speed	4mm/s
Load Capacity	6000N (611Kg)
Protection Class	IP 43
Mode of Operation	PUSH / PULL
Operating Temperature	-15 °C to 45°C
Duty Cycle	10%,2min.on/18min.off
Safe Operating load	100-150Kg
Stroke Length	50mm,100mm,150mm,200mm,250mm,300mm,400mm,600mm

## Applications:

- MATERIAL HANDLING,
- FACTORY AUTOMATION,
- PACKAGING & CONVERTING

## Features :

- COMPACT DESIGN,
- ALUMINIUM FRAME & EXTENSION TUBE,
- BUILT-IN LIMIT SWITCH,
- LOW NOISE,
- ELECTRICAL OPERATION ONLY