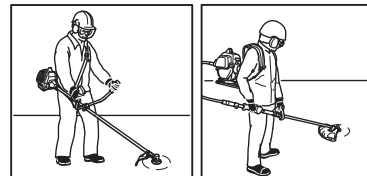


STIHL® FS 230, FR 230

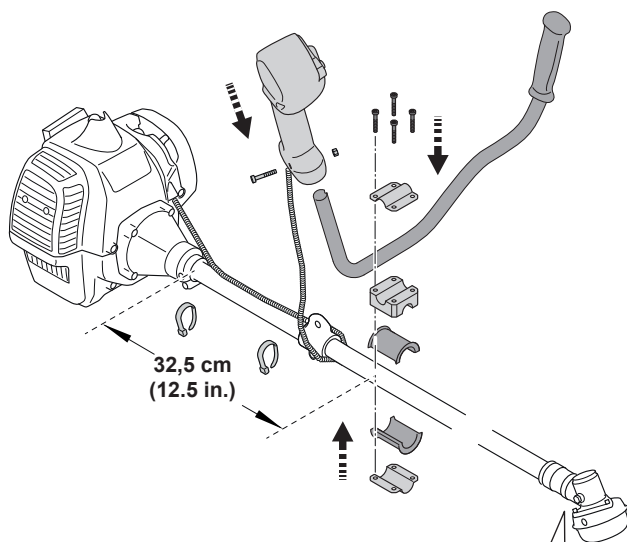
www.stihl.com

0457 362 0102 A B23

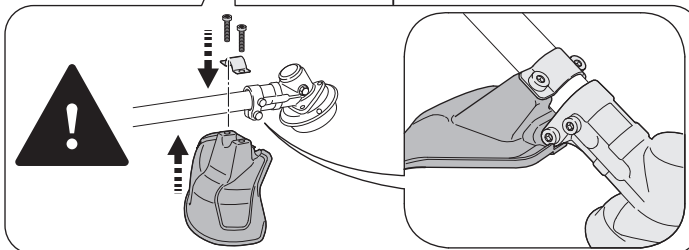
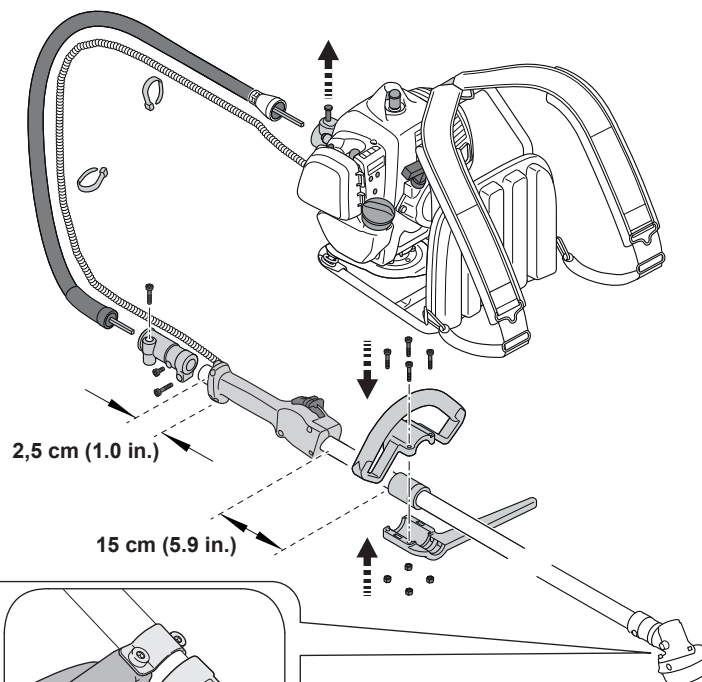


Assembling the Brushcutter

FS 230



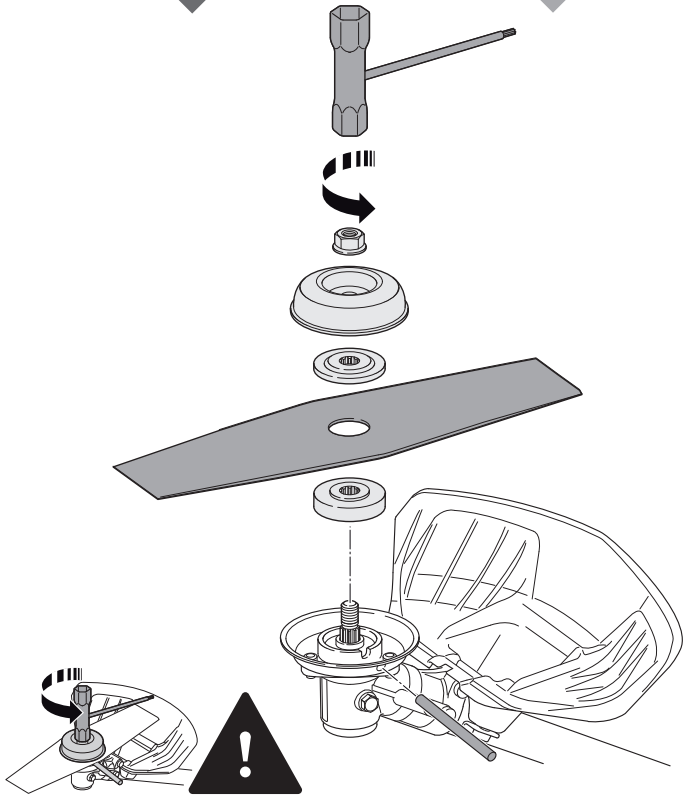
FR 230



Mounting the Metal Cutting Attachment

FS 230

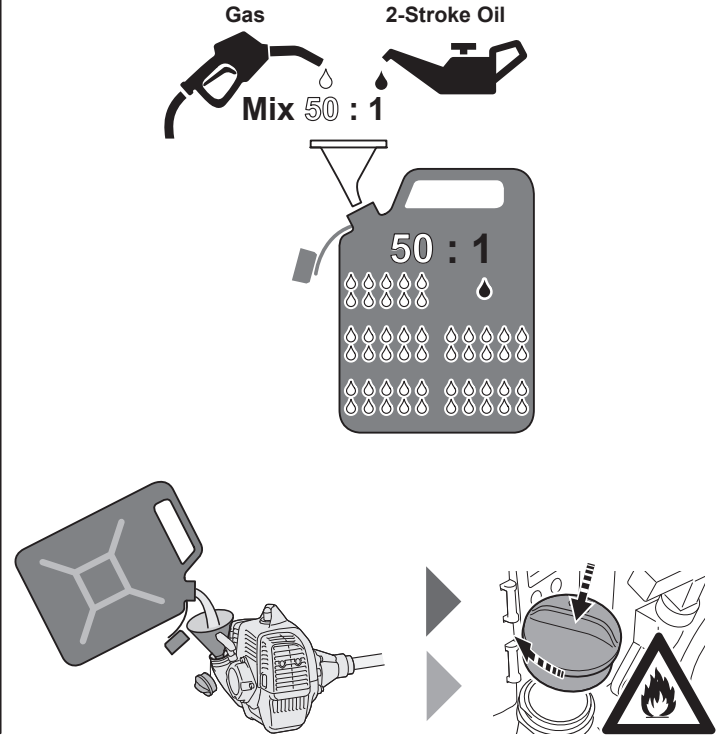
FR 230



Fueling

FS 230

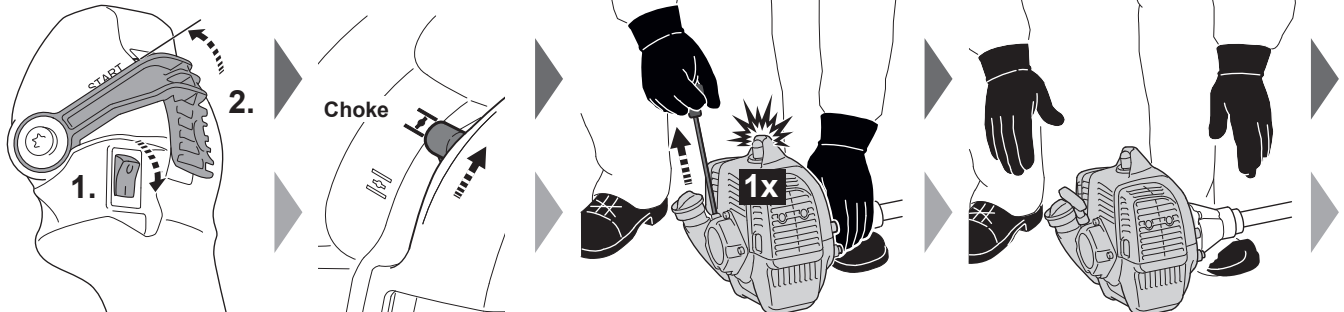
FR 230

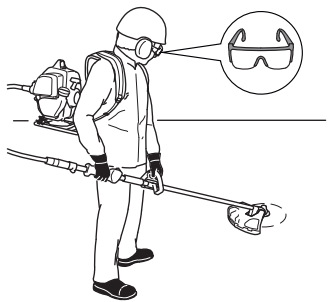
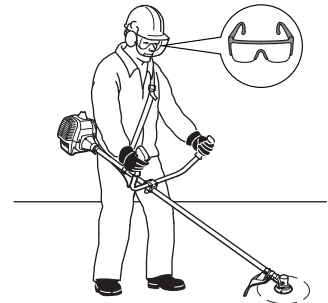
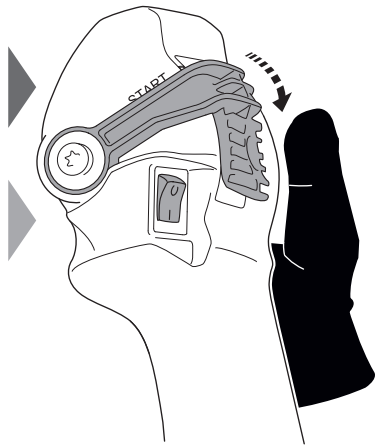
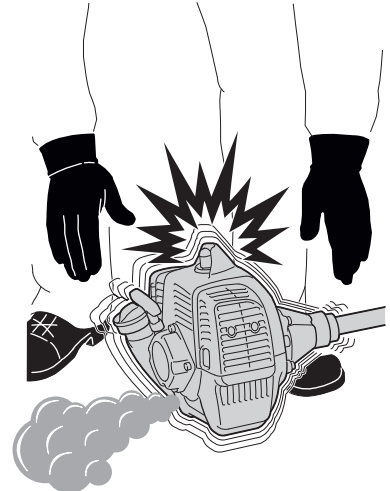
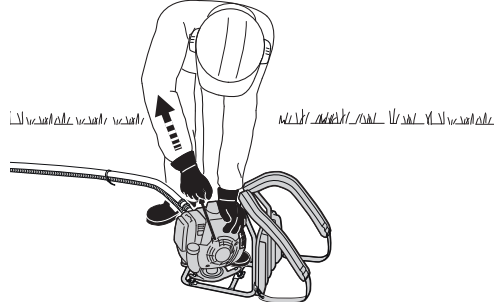
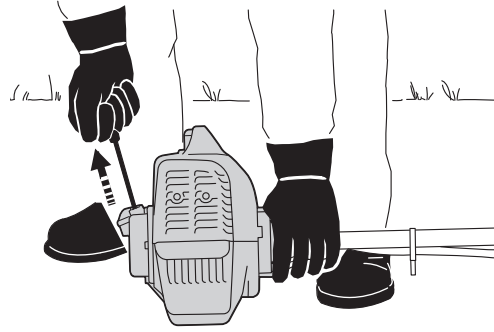
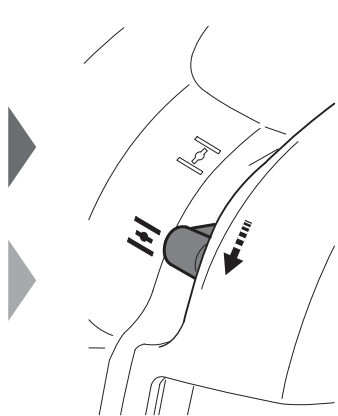


Starting the Engine

FS
230

FR
230

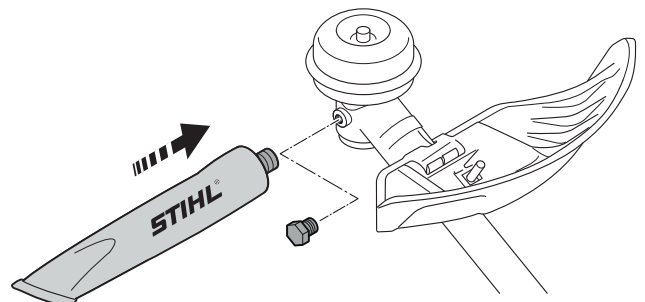




Lubricating the Gearbox

FS 230

FR 230



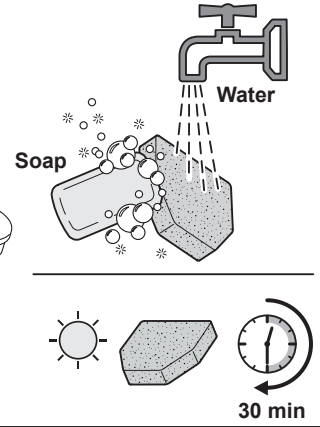
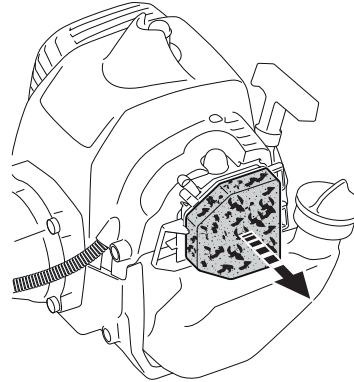
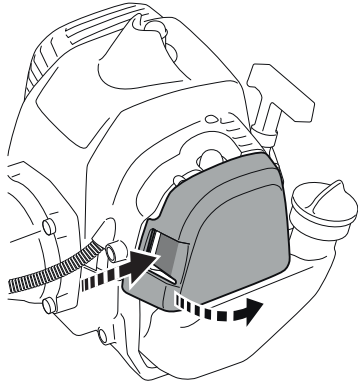
Grease 5 g (0.2 oz.)
Maintenance Interval: 50 h

Service

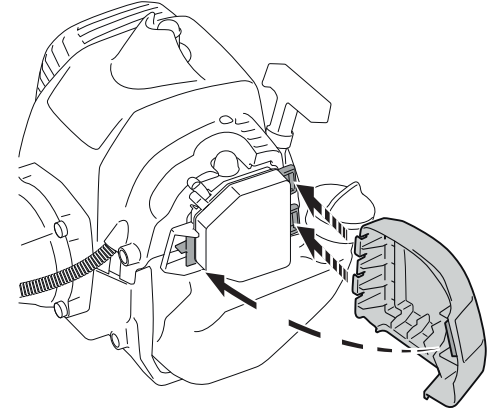
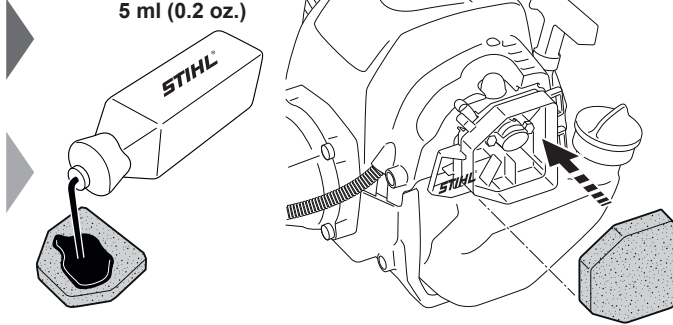
Cleaning the Air Filter

FS
230

FR
230

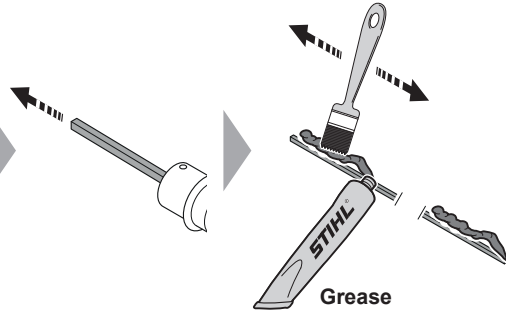
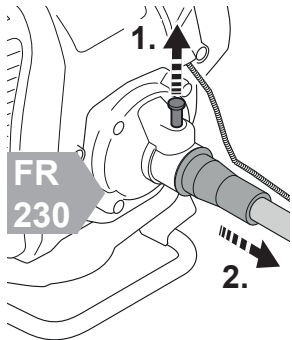


2-Stroke Oil
5 ml (0.2 oz.)

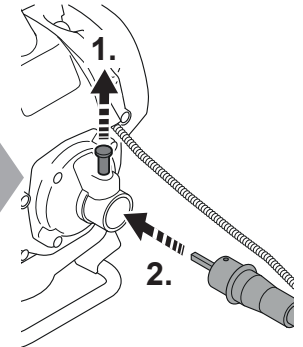
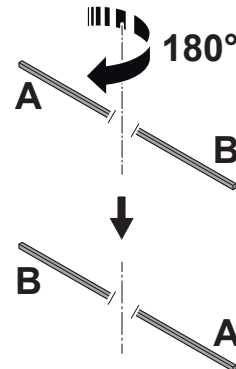


Lubricating the Flexible Shaft

FR
230



Grease



Maintenance Interval: 25 h