

# AQUAMET®

## Woltmann Water Meters

50mm - 500mm (2" - 20")



### AQUAMET

A removable mechanism type Woltmann Water Meter with magnetic drive and vacuum sealed register.

### STANDARDS

Conforms to ISO 4064, Class-B.

### APPLICATION

Water Distribution Network  
Industrial / Commercial Water Supply  
Boilers

### FEATURES

- Leak proof and sealed totaliser
- Magnetic drive
- Repairable without interrupting water supply
- Removable mechanism ensures easy maintenance
- Totaliser protected by metallic cover.
- Reliable sensitive metrology and low pressure loss.
- AMR Ready for GPRS/GSM/BMS Compatibility

### OPTIONS

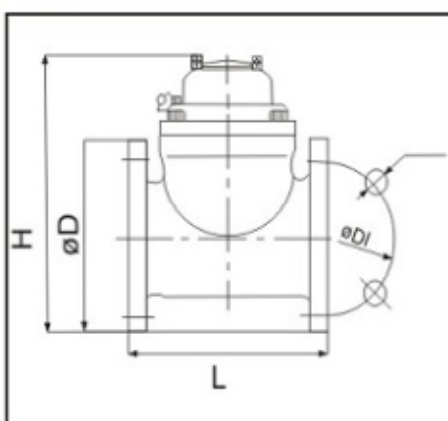
- Hot water meters (<math><90^{\circ}\text{C}</math>) & (<math><120^{\circ}\text{C}</math>)
- Zenner Water Meter with MID/OIML Mark.
- Water Meters Suitable for ETP/Dirty Water.
- Dirt Box (50mm to 500mm).
- Electro Magnetic Flow Meters (15mm to 3000mm).

### METROLOGICAL PERFORMANCE:

Size of meter	Acc(%)	40mm	50mm	65mm	80mm	100mm	125mm	150mm	200mm	250mm	300mm	350mm	400mm	500mm
Minimum flow Q min	m <sup>3</sup> /h ±5	0.20	0.45	.75	1.20	1.80	3.00	4.50	7.50	12.00	18.00	21.00	30.00	45.00
Transitional flow Qt	m <sup>3</sup> /h ±2	0.80	3	5	8	12	20	30	50	80	120	160	200	300
Nominal flow Qn	m <sup>3</sup> /h ±2	10	15	25	40	60	100	150	250	400	600	800	1000	1500
Maximum flow Q max	m <sup>3</sup> /h ±2	20	30	50	80	120	200	300	500	800	1200	1600	2000	3000
Minimum Reading	m <sup>3</sup>	0.0002	0.0002	0.0002	0.0002	0.0002	0.002	0.002	0.002	0.002	0.002	0.1	0.1	0.1
Maximum Reading	m <sup>3</sup>	→	9999999			←	→	9999999 X 10			←	→	9999999	←
Temperature Suitability	°C	50°C												
Working Pressure	Mpa	≤1.6 MPa												

### DIMENSIONS

Size of meter	40mm	50mm	65mm	80mm	100mm	125mm	150mm	200mm	250mm	300mm	350mm	400mm	500mm
Length (L) mm	200	200	200	225	250	250	300	350	450	500	500	600	800
Height (H) mm	210	208	225	280	290	310	310	365	470	492	592	631	740
Weight kg	9.24	11	12	15.5	18.2	24.5	28.9	42.9	94	114	125	199	340



### FLANGE DETAILS

Size of meter	40 mm	50 mm	65 mm	80 mm	100 mm	125 mm	150 mm	200 mm	250 mm	300 mm	350 mm	400 mm	500 mm
Bolt Circle (øD) mm	110	125	145	160	180	210	240	295	355	410	470	525	650
Dia of Flange hole	18	18	18	18	18	18	21.5	21.5	27.5	27.5	27.5	32	34
Number of Bolts	4	4	4	6	6	6	6	12	12	12	16	16	20
Flange outer dia (øD) mm	150	165	185	200	220	250	285	340	405	460	520	580	715