

AQUAMET®

Domestic Water Meters

Multi Jet Class B, 15mm-50mm (1/2"-2")



AQUAMET

An inferential, multijet, dry type water meter with magnetic drive and vacuum sealed register.

STANDARDS

Conforms to ISO 4064, Class-B.

FEATURES

- Highly sensitive to low flow rates and very accurate over its entire flow range.
- Low head loss.
- Vacuum sealed, leak proof and dry Totaliser.
- Self-lubricating gears
- Long maintenance free working life.

OPTIONS

- Remote reading facility/pulse output available on request.
- Hot Version available upto 90°C.
- Zenner Water Meters with MID/OIML Mark.

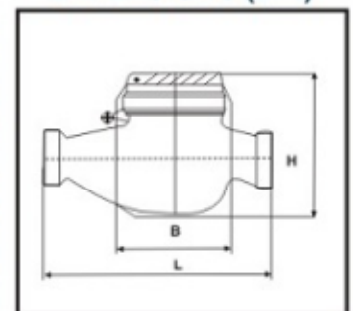
METROLOGICAL CHARACTERISTICS

	Accuracy	15mm	20mm	25mm	32mm	40mm	50mm
		CL-B	CL-B	CL-B	CL-B	CL-B	CL-B
Lower limit of flow, Q _{min} l/h	±5%	30	50	70	120	200	300
Transitional flow, Q _t l/h	±2%	120	200	280	480	800	1200
Nominal Flow, Q _n l/h	±2%	1500	2500	3500	6000	10000	15000
Maximum Flow, Q _{max} l/h	±2%	3000	5000	7000	12000	20000	30000
Test pressure MPa		2					
Temperature suitability °C		50°C					
Dial Registration Kl		99999					
Smallest reading lts.		0.05				0.5	

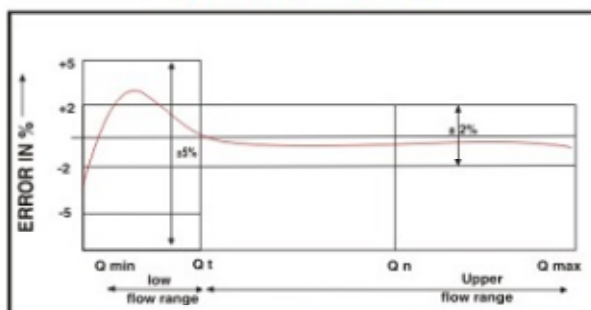
DIMENSIONS

DESCRIPTION	15mm	20mm	25mm	32mm	40mm	50mm
Meter Thread	3/4" BSP	1" BSP	1 1/4" BSP	1 1/2" BSP	2" BSP	2 1/2" BSP
End connection threads	1/2" BSP	3/4" BSP	1" BSP	1 1/4" BSP	1 1/2" BSP	2" BSP
Length of meter with coupling	250 mm	290 mm	380 mm	380 mm	430 mm	470 mm
Length of meter without coupling L	165 mm	190 mm	260 mm	260 mm	300 mm	330 mm
Height H	94 mm	95 mm	123 mm	124 mm	148 mm	155 mm
Width B	76 mm	78 mm	97 mm	97 mm	114 mm	120 mm
Weight with coupling	920 gms	1.20 kg.	2.40 kg.	2.60 kg.	4.20 kg.	5.60 kg.

DIMENSIONS (MM)



ACCURACY CURVE



HEAD LOSS CURVE

